
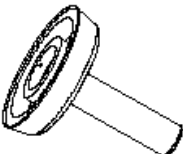

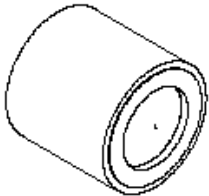


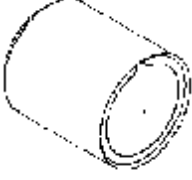
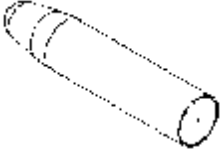
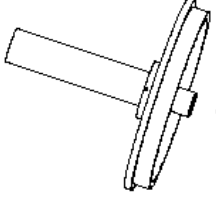

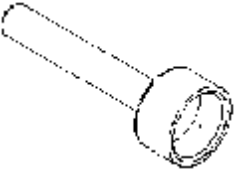
SPECIAL TOOLS

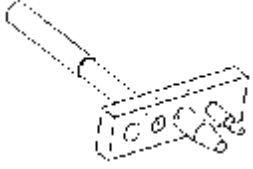


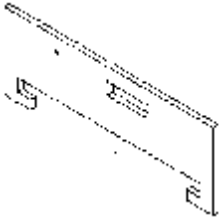
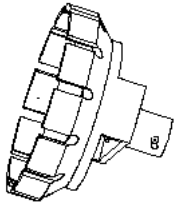
SPECIAL TOOLS	ST-2
ENGINE.....	ST-2
MANUAL TRANSMISSION.....	ST-5

SPECIAL TOOLS



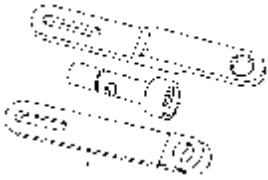
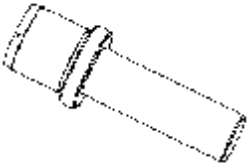
ENGINE



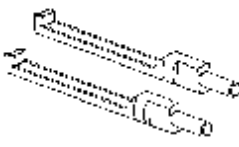
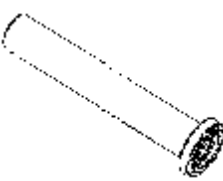

SN	Tool	Number	Name
1		WX-001	Camshaft Oil Seal Installer
2		WX-002	Crankshaft Rear Oil Seal Installer
3		WX-003	Push Crankshaft Rear Oil Seal Tool
4		WX-004-1	Crankshaft Front Oil Seal Installer

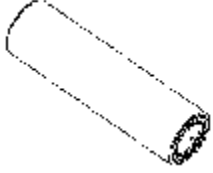
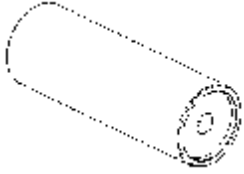
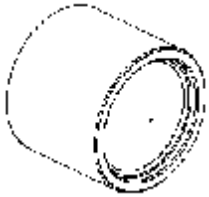
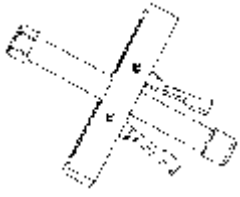
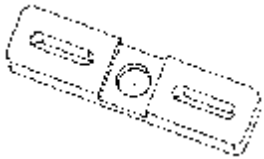
SN	Tool	Number	Name
5		WX-004-2	Duct- Crankshaft Oil Seal Installer
6		WX-005	Valve Oil Seal Installer
7		WX-006	Clutch Orientation Tool
8		WX-007	Ignition Switch Disassembly Tool
9		WX-008	Rear Axes cover Installer


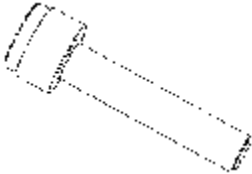

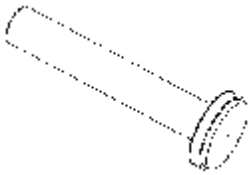

SN	Tool	Number	Name
10		WX-009	Subframe Orientation Tool
11		WX-010	Valve Spring Compressor
12		WX-011	Cylinder Head Charge Connector
13		WX-012	Shift Handle Orientation Tool
14		WX-013	Fuel Pump Disassembly Tool



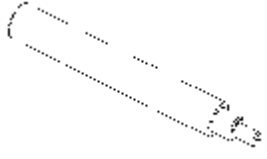


MANUAL TRANSMISSION


SN	Tool	Number	Name
1		GZ101	Fifth Gear Fork Tool
2		GZ210	Flange Push Tool
3		GZ310	First Shaft Lock Tool
4		GZ401	Cover Installer

SN	Tool	Number	Name
5		GZ530	Middle Bearing Push Tool
6		GZ410	Gear Haul Tool
7		GZ434	Bearing Inside Track Haul Tool
8		GZ411	First Shaft Oil Seal Installer
9		GZ413	Fifth Gear Lock Plate Tool

SN	Tool	Number	Name
10		GZ421	Shift Shaft Oil Seal Installer
11		GZ427	Second Shaft Front Bearing Inside Track Tool
12		GZ428	Middle Bearing Inside Track Tool
13		GZ430	Second Shaft Front Bearing Outside Track Haul Tool
14		GZ432	Flange Push Shaft

SN	Tool	Number	Name
15		GZ511	Rear Hull Body Haul Tool
16		GZ518	Oil Seal Seat Tool
17		GZ523	Flange Oil Seal Tool
18		GZ524	Differential Bearing Outside Track Tool
19		GZ526	Second Shaft Front Bearing Outside Track Tool

SN	Tool	Number	Name
20		GZ529	Differential Bearing Inside Track Tool
21		GZ541	Release Mandril Oil Seal Tool
22		GZ542	Clutch Mandril Bush Tool
23		GZ544	First Shaft Front Bearing Tool
24		GZ546	Second Shaft Rear Bearing Tool

SN	Tool	Number	Name
25		GZ550	First Shaft Rear Bearing Tool