

# 200

S E R I E S



## *Owner's Handbook*

*Instruktieboekje*

*Manuel du Conducteur*

*Betriebsanleitung*

*Manuale di Istruzioni*

*Manual del Conductor*

*Manual do Proprietário*





***In addition to this handbook, your literature pack contains the following documents:***

- **Service Portfolio**
  - this book includes important information about Rover warranty and vehicle maintenance requirements, as well as containing a unique record of your own car's service history. Ensure that your Rover dealer completes the appropriate service record slip after every service.
- **In-Car Entertainment**
  - this book contains operating instructions for the audio equipment fitted to the Rover 200 range.
- **Security Information Card**
  - Your Rover dealer should have filled in all the relevant serial numbers concerning your car before delivery. These are important aids to vehicle security; keep the card in a safe place - NOT IN THE CAR.

***The literature pack is an important part of the car.  
Keep it in the glovebox where it is easy to find.***



As part of Rover Cars environmental policy, this publication is printed on paper made from chlorine free pulp.



## Contents

### BEFORE YOU DRIVE

Controls	3	Windows	31
Locks & alarm	4	Sunroof	33
Seats	15	Heating & ventilation	34
Seat belts	19	Interior equipment	41
Airbag SRS	23	In-car entertainment	44
Mirrors	27	Load carrying	46
Steering column	30		

### DRIVING CONTROLS

Instruments	50	Fuel system	64
Warning lights	52	Lights & indicators	67
Starting & driving	55	Wipers & washers	69
Catalytic converter	59	Fascia switches	71
Manual gearbox	61	Brakes	73
Automatic gearbox	62		

### MAINTENANCE

Maintenance	77	Power steering	87
Bonnet opening	79	Wipers & washers	88
Engine compartment	80	Battery	90
Engine	83	Tyres	92
Cooling system	85	Cleaning & car care	94
Brakes	86		

### EMERGENCY INFORMATION

Emergency starting	96	Fuses	104
Emergency towing	98	Bulb replacement	109
Wheel changing	99		

### TECHNICAL DATA

Parts & accessories	117	Index	126
Vehicle identification	118		
Technical data	119		

## Introduction

---

Welcome to your new Rover. This handbook, together with the other publications in the literature pack, provides all the information you need to gain maximum pleasure from owning and driving your new car.

For your convenience, the handbook is divided into the following sections, each dealing with a particular aspect of driving or caring for the car. You will find it worthwhile to take a little time to read each one, and get to know your new Rover as soon as you possibly can.

**'Before you drive'** - this section covers seat adjustment, seat belts and heating controls and deals with everything you need to know to settle comfortably into the car before you drive.

**'Driving controls'** - here the functions and operation of the switches, instruments and driving controls are explained.

**'Maintenance'** - this part includes information about the maintenance checks that you, the owner, should carry out on a daily or weekly basis.

**'Emergency information'** - this section will help to solve those unavoidable little emergencies that occur from time to time; like replacing bulbs and fuses, or changing a wheel.

**'Technical data'** - here you will find the technical specification for your car.

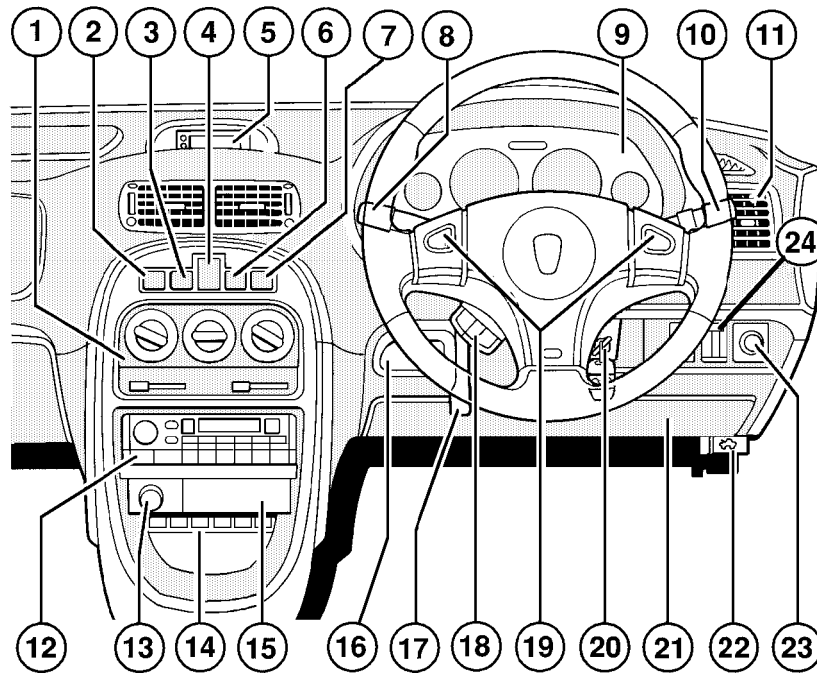
### **WARNING!**

*Safety warnings are included in this handbook. These indicate either a procedure which must be followed precisely, or information that should be considered with great care in order to avoid the possibility of personal injury or serious damage to the vehicle.*

**The specification of each Rover vehicle will vary according to territorial requirements and also from model to model within the vehicle range. Some of the information published in this handbook, therefore, may not apply to your car. If you are in any doubt, then contact your dealer.**

Rover operate a policy of constant product improvement and therefore, reserve the right to change specifications without notice at any time. Whilst every effort is made to ensure complete accuracy of the information in this handbook, no liabilities for inaccuracies, or the consequences thereof, including loss or damage to property, or injury to persons, can be accepted by the manufacturer or the dealer who supplied the handbook, except in respect of personal injury caused by the negligence of the manufacturer or the dealer.

## Controls



R3H0145

- |  |   |
|--|---|
| 1. Heating and ventilation controls          | 13. Cigar lighter                       |
| 2. Rear screen demister switch               | 14. Cassette storage                    |
| 3. Air conditioning switch                   | 15. Ashtray                             |
| 4. Hazard warning light switch               | 16. Coin tray                           |
| 5. Clock/radio display                       | 17. Steering column height adjuster     |
| 6. Front fog lights switch                   | 18. Remote radio controls               |
| 7. Rear fog guard lights switch              | 19. Horn switches                       |
| 8. Lighting and direction indicator controls | 20. Starter switch                      |
| 9. Instrument and warning light panel        | 21. Fuse box cover                      |
| 10. Wiper and washer controls                | 22. Bonnet release                      |
| 11. Fresh air vents (4)                      | 23. Exterior mirror control             |
| 12. Radio/cassette player                    | 24. Headlamp beam height control switch |

## Locks & Alarm

### ANTI-THEFT SECURITY PRECAUTIONS

**Always adopt this simple 'five point' drill, whenever you leave your car - even for just a few minutes:**

- Fully close all windows (and sunroof).
- Remove any valuables (or hide them in the luggage compartment).
- Remove the starter key and handset.
- Engage the steering lock (by slightly turning the steering wheel until it locks).
- Lock all the doors and activate the alarm.

Even when you have done all these things, there is still much you can do to make your car a less inviting target for the thief.

### BE SAFE, NOT SORRY!

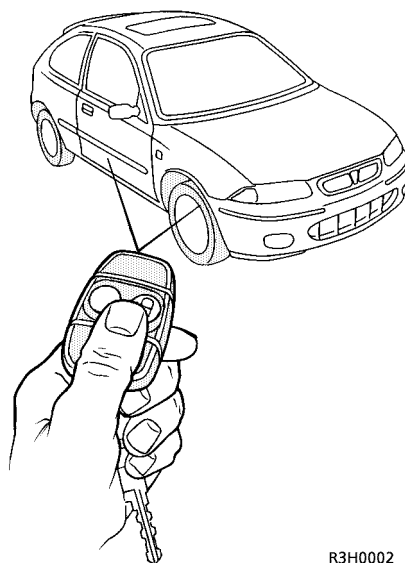
- Try to park where your car can be seen by householders or passers-by.
- At night, always park in well lit areas and try to avoid dimly lit side streets.
- Never leave vehicle documents in the car - these are a real bonus for the thief.
- If you have a garage, use it - and don't risk leaving the key and handset in the starter switch.

### ALARM SYSTEM

Your car is fitted with a sophisticated electronic anti-theft alarm and engine immobilisation system. In order to ensure maximum security and minimum inconvenience, you are strongly advised to gain a full understanding of the alarm system, by thoroughly reading this section of the handbook.

### LOCKING THE CAR AND ARMING THE ALARM

Before locking the car and arming the alarm, ensure all doors, windows, sunroof, bonnet and luggage compartment apertures are securely closed.



R3H0002



## Locks & Alarm

---

### Models with central door locking

The handset has two buttons: A 'padlock' symbol button for locking the car and a plain button for unlocking the car.

To lock the car and arm the alarm, aim the handset at the car and briefly press the lock button.

When the button is pressed, the handset transmits a coded radio signal to a receiver in the car, which activates the following:

- the central door locking system (all the door locks are activated).
- the perimeter alarm (protects the door, bonnet and luggage compartment apertures).
- electronic engine immobilisation.
- interior space protection (if fitted) protects the space inside the passenger compartment - see '*Interior space protection*'.

**FOR MAXIMUM SECURITY  
ALWAYS USE THE HANDSET TO  
LOCK AND UNLOCK THE CAR**

(except when interior space protection is provided and the car is to be locked with passengers or animals inside, or with a window or sunroof open, in which case the car should be locked using the key - see '*Locking using the key*').

If the alarm system is successfully armed when the handset lock button is pressed, the direction indicator lights will flash three times and the anti-theft alarm indicator light on the instrument panel starts to flash.

If the direction indicator lights fail to flash, this indicates that a door or other aperture is not fully closed, in which case the alarm will still be armed and the engine immobilised but interior space protection (if fitted) will not have been activated. Once the open door or aperture is closed, the direction indicators will flash three times to confirm that the alarm system has rearmed.

If the direction indicators still fail to flash, even though all door, luggage compartment and bonnet apertures are closed, this indicates a fault with the alarm system and you should contact your dealer.

Once armed, the alarm will sound if the taildoor, bonnet or any door is opened.

On cars fitted with interior space protection, the alarm will also sound if (after a checking period of 15 seconds) any movement is detected inside the passenger compartment (see '*Interior space protection*').

If the bonnet, luggage compartment or a door is not fully closed when the alarm is armed, the alarm will still be armed and the engine immobilised, but interior space protection (if fitted) will not have been activated.

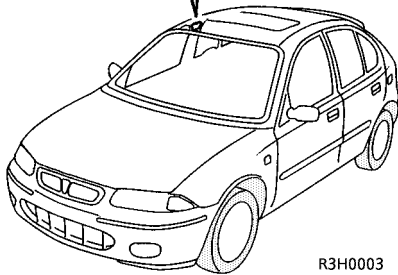
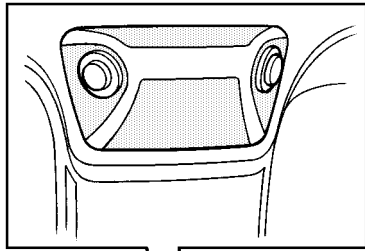
### Unlocking with the handset

Aim the handset at the car and briefly press the PLAIN button; the alarm is disarmed immediately, all the doors unlock and the engine is re-mobilised.

If the handset fails to unlock the car, use the door key instead and then resynchronise the handset (see item 6 under '*Handset battery*').



## Locks & Alarm



R3H0003

### Interior space protection

On cars fitted with interior space protection, twin sensors situated at the top of the right hand door pillar, monitor the interior space and activate the alarm if an intrusion into the passenger compartment is detected (entry gained through a window or sunroof, for example). Interior space protection is only activated when the alarm is armed using the handset.

### Models without central door locking

**THE KEY MUST ALWAYS BE USED TO LOCK THE CAR AND ARM THE ALARM. USING THE HANDSET TO ARM THE ANTI-THEFT ALARM WILL NOT LOCK THE CAR**

The handset has two buttons which, when pressed, send a coded radio signal to a receiver in the car. The 'padlock' symbol button activates, and the plain button deactivates the following:

- the perimetric alarm (protects the door, bonnet and luggage compartment apertures).
- electronic engine immobilisation.

**NOTE:** Using the key to unlock the driver's door will deactivate the alarm, but the engine will remain immobilised. To re-mobilise the engine, press the plain button on the handset.

## Locks & Alarm

### ALL MODELS

#### If the alarm sounds

To silence the alarm, press either handset button, or operate the driver's door lock using the key. Once activated, the alarm will sound for approximately 30 seconds before switching itself off, and can be triggered up to three times in total before needing to be reset.

#### Anti-theft alarm indicator light

After locking, the RED indicator light on the instrument panel flashes rapidly while the alarm system is arming itself.

After 10 seconds, the indicator light adjusts to a slower frequency, and continues flashing as an anti-theft deterrent until such time as the alarm is disarmed.

#### Locking using the key

The two identical keys operate all locks, including the luggage compartment. To operate the door locks, turn the key towards the front of the car to lock and towards the rear to unlock.

In the case of cars fitted with central door locking AND interior space protection; locking the car with the key instead of the handset, restricts security protection to the perimetric alarm (doors, bonnet and luggage compartment) and engine immobilisation only. Interior space protection will not be activated!

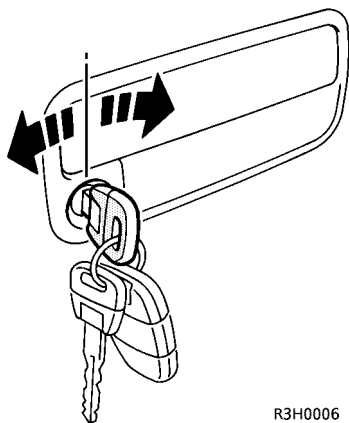
**NOTE:** Using the key to operate the luggage compartment or passenger's door locks, will NOT arm or disarm the alarm system.

Therefore, once armed, the alarm will sound if the luggage compartment or the passenger's door are unlocked with the key, or opened.

#### Door sill locking buttons

All doors can be locked from inside the car by pushing down the locking button on each door sill.

**NOTE:** When the driver's door locking button is operated, the central locking system (where fitted) operates all door locks together.



R3H0006

## Locks & Alarm

---

### ENGINE IMMOBILISATION

Engine immobilisation is an important aspect of the car's security system, and includes a feature known as passive immobilisation. This ensures that the engine is automatically immobilised whenever any of the following conditions occur:

1. When the car is locked (with handset or key).
2. Thirty seconds after the starter switch is turned off AND the driver's door opened (even if the alarm is not armed and the car locked).
3. Thirty seconds after the car is unlocked (provided the doors have not been opened).

The engine is re-mobilised by a signal transmitted from the handset to the starter switch. This occurs automatically whenever the key is inserted into the starter switch and turned to position II, provided the handset is in close proximity to the switch.

**For this reason, it is important that the handset is kept on the same ring as the key.** If the handset has become detached, the re-mobilisation signal can only be transmitted by pressing the smooth (unlock) button on the handset.

### Warning bleep

If the starter switch is turned and the engine fails to re-mobilise, a warning bleeper will sound. To re-mobilise the engine, press the smooth (unlock) handset button.

If the handset is lost or damaged, use the door key to enter the Emergency Key Access Code (see '*Engine immobilisation override*' on the next page).

### WARNING!

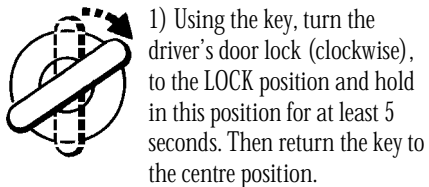
*DO NOT keep both handsets on the same keyring. If both handsets are close to each other, the engine will not re-mobilise automatically.*

## Locks & Alarm

### Engine immobilisation override (Emergency key access code)

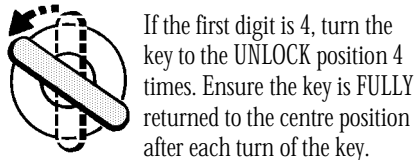
If the handset is lost or fails to operate, the engine can be re-mobilised by using the key to enter the emergency key access code (this four digit code is recorded on the Security Information card).

Enter the code as follows:

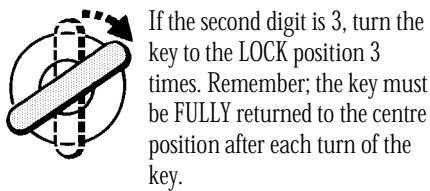


It is now possible to use the key to enter the numerical value of the four digits of the emergency key access code, as follows:

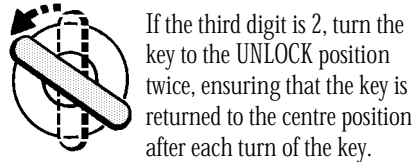
2) Enter the FIRST digit of the code



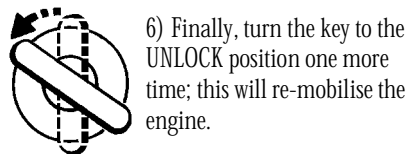
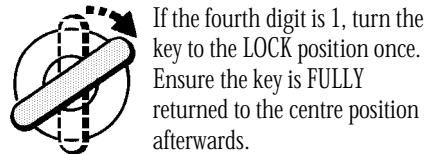
3) Enter the SECOND digit of the code



4) Enter the THIRD digit of the code



5) Enter the FOURTH digit of the code



If the code has been entered successfully, the anti-theft indicator light will stop flashing and the engine can be started.

## Locks & Alarm

---

### IMPORTANT

*When entering the code:*

- *Each turn of the key must be undertaken with care and precision, pausing at the end of each movement.*
- *ENSURE the key turns through the full extent of its travel.*
- *After turning the key to the lock or unlock positions, MAKE SURE it is fully returned to the centre position (if possible, turn the key a little way beyond the central position to ensure it has been reached).*

### ***If an incorrect code has been entered:***

If the code has been entered incorrectly, a warning bleep will sound when the key is turned to the unlock position. In this case:

- open and close the door (this will cancel the error).
- enter the code again.

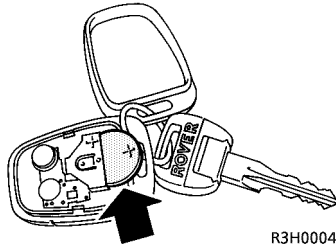
After three failed entry attempts, the security system invokes a delay period of ten minutes during which the system will not accept any further attempts to enter a code.

Once deactivated, the engine immobiliser will remain inactive until the handset is next used to lock the car.

### WARNING!

- *NEVER leave the Security Information card in the car.*
- *Memorise the key access code or keep the Security Information card on your person in case of emergencies (a damaged handset for example).*

## Locks & Alarm



### HANDSET BATTERY

The handset battery should last for approximately three years dependent upon use. When the battery needs replacing, it will be apparent from the following symptoms:

- Each time the handset is operated, the indicator light on the instrument panel flashes rapidly until the door is opened.
- The operating range of the handset will reduce.

Always fit a Rover YWK10003 or a Panasonic CR2032 replacement battery (available from a Rover dealer) and adopt the following replacement procedure:

- 1) Carefully prise the handset apart, start from the keyring end using a coin or small screwdriver. Avoid damaging the seal between the two halves of the case and DO NOT allow dirt or moisture to get inside the handset.
- 2) Slide the battery out of its clip, taking care to avoid touching the circuit board or the contact surfaces of the clip.
- 3) Press and hold each button in turn for at least five seconds (this will drain any residual power from the handset).

4) Fit the new battery, ensuring that correct polarity is maintained (positive ('+') side facing up). Finger marks will adversely affect battery life; if possible, avoid touching the flat surfaces of the battery and wipe them clean before fitting.

5) Reassemble the two halves of the handset.

6) Unlock the car using the key, then operate the lock button of the handset at least four times.

The handset is now ready for use.

### WARNING!

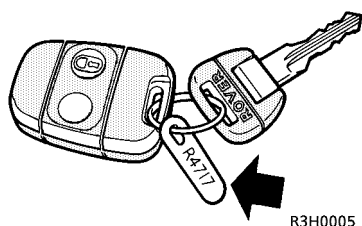
*The handset contains delicate electronic circuits and must be protected from impact and water damage, high temperatures and humidity, direct sunlight and the effects of solvents, waxes and abrasive cleaners.*

### Battery disconnection

If the car battery is disconnected for any reason, the status of the security system prior to disconnection, will be memorised and automatically reset when the battery is reconnected.

## Locks & Alarm

---



R3H0005

### KEY AND HANDSET NUMBERS

You have been supplied with two remote control handsets and a pair of identical keys.

The key number is stamped on a tag (arrowed in illustration) attached to the key ring. Check that the key number has been entered in the space provided on your Security Information card.

### WARNING!

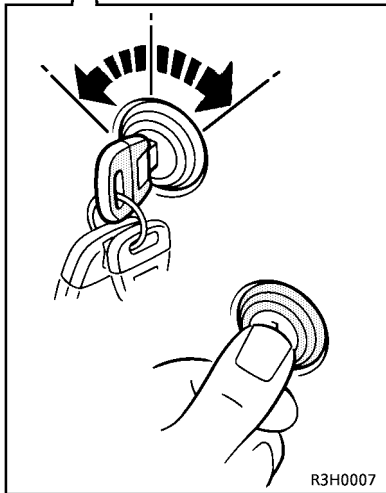
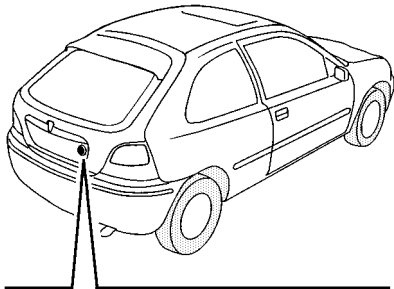
*Keep the Security Information card, key tag, spare key and handset in a safe place - NOT IN THE CAR!*

If the key or handset is lost, contact a Rover dealer, who can supply replacement or additional keys and handsets.



## Locks & Alarm

### LUGGAGE COMPARTMENT



#### WARNING!

Take care to avoid contact with a hot exhaust system, when standing at the rear of the car.

**NOTE:** On cars fitted with central door locking, the taildoor locks and unlocks in conjunction with the other doors.

To unlock, turn the key clockwise, remove the key and press the release button to open. The luggage compartment light illuminates automatically when the taildoor is opened.

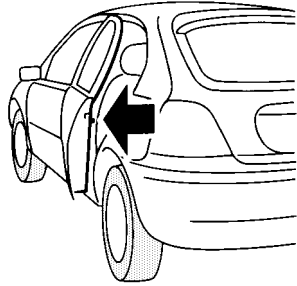
**NOTE:** Opening the taildoor with the alarm system armed, will activate the alarm - always disarm the alarm first (press the plain button on the handset).

To lock, close the taildoor and turn the key in the lock anti-clockwise. Press the padlock button on the handset to re-arm the alarm (if required).

#### WARNING!

Do not drive with the taildoor open as poisonous exhaust gases will enter the car.

## Locks & Alarm

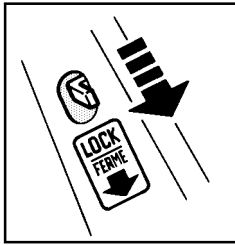


### Child-proof door locks

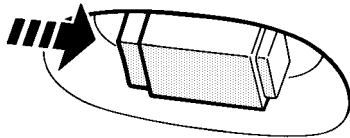
(5-door models only)

Move the lever down to engage the child-proof door locks (rear doors only).

With the child-proof locks engaged, the rear doors cannot be opened from inside the car, thereby avoiding the risk of a door being opened accidentally while the car is moving.



R3H0008



R3H0009

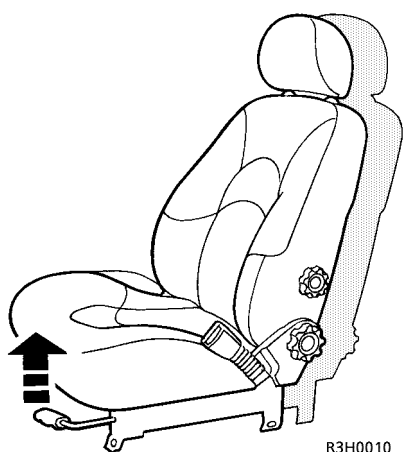
### Glovebox

Press the release catch to open (see illustration).

#### **WARNING!**

*DO NOT drive with the glovebox open.  
An open glovebox could cause injury to a front seat passenger, in the event of a collision.*

## Seats



### Forward/backward adjustment

Lift the lever to slide the seat forward or back. Ensure that the seat is locked in position before driving.



### Backrest adjustment

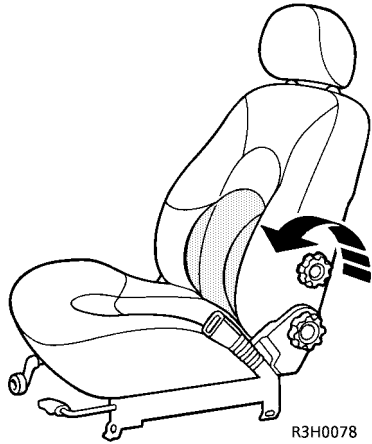
Rotate the handwheel to adjust the backrest to the required angle (see warning below).

#### WARNING!

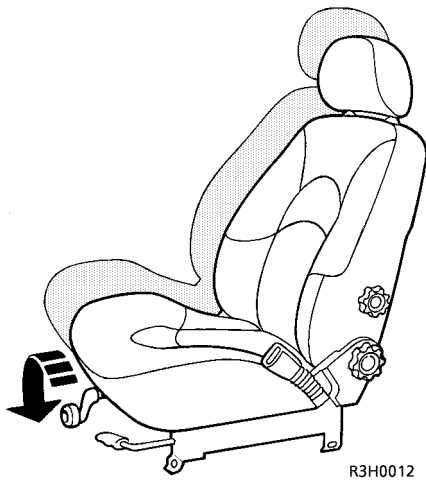
- *DO NOT adjust the seats while the car is in motion.*
- *DO NOT allow front seat occupants to travel with the seat backs reclined steeply rearwards. Optimum benefit is obtained from the seat belt with the seat back angle set to approximately 25 degrees from the upright (vertical) position.*

## Seats

---



**Lumbar support** - if fitted  
(Driver's seat only)  
Rotate the handwheel to increase or decrease support to the lumbar region of the back.



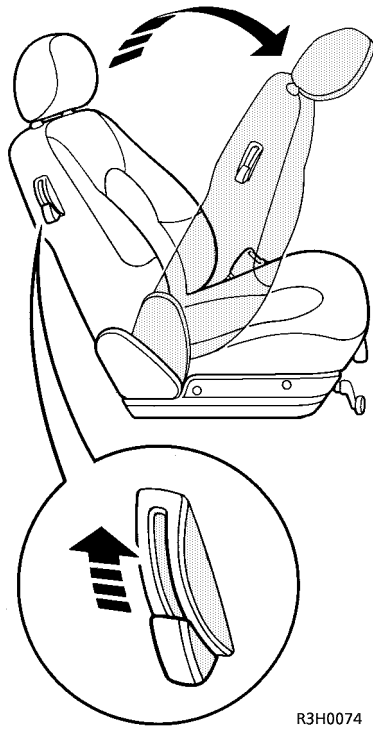
**Height adjustment** - if fitted  
(Driver's seat only)  
Rotate the handle to raise or lower the seat cushion.

### **WARNING!**

- *DO NOT* adjust the seats while the car is in motion.
- *DO NOT* allow front seat occupants to travel with the seat backs reclined steeply rearwards. Optimum benefit is obtained from the seat belt with the seat back angle set to approximately 25 degrees from the upright (vertical) position.

## Seats

---



R3H0074

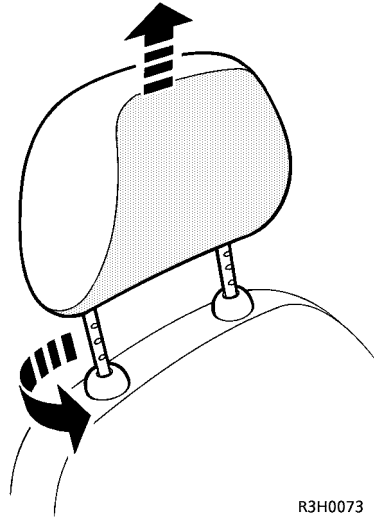
### REAR SEAT ACCESS LEVER (3-door models only)

Lift the lever to fold the seat back forward, to gain access to the rear seats. Ensure the seat back is locked in place before driving.

### REAR SEATS

For information on folding the rear seats, refer to *'Load Carrying'*.

## Seats



R3H0073

### HEAD RESTRAINTS

Head restraints are designed to restrain rearward movement of the head in the event of an accident or sudden stop - a properly adjusted head restraint can considerably reduce the risk of neck and head injuries.

Lift or push down on the padded cushion, to adjust the height of the restraint, so that the padded cushion is level with the back of the head.

Turn the right hand bevelled mounting a quarter turn anti-clockwise to unlock a head restraint and enable it to be removed from the seat. After replacement, turn the mounting clockwise to lock the head restraint in position.

### WARNING!

*Where possible, adjust the height of a head restraint so that the cushion is level with the back of the head - NOT THE NECK!*

## Seat Belts

---

### SEAT BELT SAFETY

The seat belts supplied with your car, are intended for use by adult sized occupants, and must be used by one occupant ONLY. Seat belts are life saving equipment. In a collision, unrestrained passengers can be thrown around inside, or possibly thrown out of the car, resulting in injury to themselves and to other occupants as well.

#### **ENSURE that ALL passengers are securely strapped in at all times.**

- ALWAYS adjust seat belts to eliminate any slack in the webbing. DO NOT slacken the webbing by pulling the belt away from the body - to be fully effective, the seat belt must remain in full contact with the body at all times.
- ALWAYS fit the lap strap across the pelvis (never across the abdomen), and ensure that the diagonal strap passes across the chest, without slipping off the shoulder, or pressing against the neck.
- DO NOT fit more than one person into a belt, or use a seat belt that is twisted or obstructed in any way that could impede its smooth operation.
- DO NOT wear seat belts, over hard or fragile items in clothing, such as pens, keys, spectacles etc.
- DO NOT wear seat belts fitted with pre-tensioners directly over bare skin.
- DO NOT allow front seat occupants to travel with the seat backs reclined steeply rearwards. Optimum benefit is obtained from the seat belt with the seat back angle set to approximately 25 degrees from the upright (vertical) position.
- DO NOT allow a baby or infant to be carried on the lap. The force of a crash can increase effective body weight by as much as 30 times, making it impossible to hold on to the child.
- DO NOT allow foreign matter (particularly sugary food and drink particles) to enter the seat belt buckles - such substances can render the buckles inoperative.
- ALWAYS replace a seat belt assembly that has withstood the strain of a severe vehicle impact, or one where the webbing shows signs of fraying.
- DO use the seat belts to secure large items of luggage that are to be carried on the seats - in the event of an accident, insecure items become flying missiles capable of causing serious injury.
- Pregnant women should ask their doctor for advice about the safest way to wear seat belts.

## Seat Belts

### WARNING!

*The airbag supplementary restraint system (SRS), is designed to add to the overall effectiveness of the seat belts, it DOES NOT replace them. SEAT BELTS MUST ALWAYS BE WORN!*

*Ensure that all seat belts are worn correctly - an improperly worn seat belt increases the risk of death or serious injury in the event of a collision.*

This label (shown below) fixed to the fascia panel of your car, warns against the use of a REAR FACING child seat when a front passenger airbag is fitted. Fitting this type of child seat could cause serious injury to a child in the event of an airbag deployment.



### CHILD SEATS

In any traffic accident, children are as vulnerable as adults. It is essential, therefore, to ensure that they are properly restrained.

The seat belts fitted to the car are designed for adults and larger children. For safety it is very important that infants and young children are restrained in a child seat appropriate to their age and size. For further information on child seats available for your car, please contact your Rover dealer.

#### ***Cars fitted with a passenger airbag:***

It is not recommended that a child seat is fitted to a front passenger seat if the car is equipped with a passenger airbag system. If it is essential for a child to travel in the front (i.e. in an emergency), set the seat fully rearward and use ONLY an approved FORWARD FACING child restraint.

### WARNING!

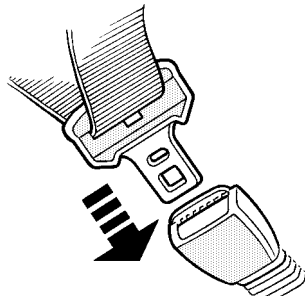
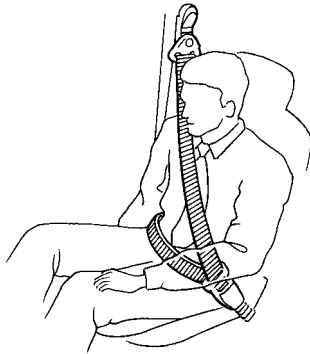
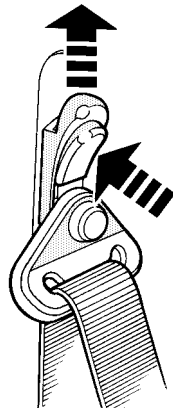
*Accident statistics show that children are safer when properly restrained in the rear seating positions than in the front.*

*DO NOT install a rearward facing child seat in a passenger seat equipped with an airbag system. Failure to follow this advice could result in serious injury, or even death for the child.*

*NEVER leave a child unattended in the car.*



## Seat Belts



R3H0014

**To minimise injury in the event of an accident, it is important that seat belts are worn correctly. Read the instructions below and the advice contained under the heading 'Seat belt safety', on a previous page .**

### Fastening the belt

Pull the seat belt steadily across the body and, ensuring the webbing is not twisted, insert the metal tongue plate into the buckle nearest the wearer - a 'click' indicates that the belt is securely locked.

Seat belts are designed to bear upon the bony structure of the body (pelvis, chest and shoulders) and can only be worn safely with the seats in the normal UPRIGHT position.

Position the lap belt as low as possible across the hips, ensuring it does NOT cross the abdomen.

### Adjusting the upper anchorage

(front seat belts only)

To reduce the likelihood of injury in an accident, the seat belt upper anchorage point should be adjusted so that the belt webbing crosses the shoulder, **MIDWAY BETWEEN THE NECK AND THE EDGE OF THE SHOULDER.**

Adjust the height of the front seat anchorage point, by pressing the button (arrowed in illustration) and sliding the anchor up or down.

**NOTE:** Where possible, rear seat passengers should adjust their position (moving nearer to, or further away from, the centre of the car) to enable the seat belt webbing to cross the shoulder, without pressing on the neck.

### Releasing the belt

Press the RED button attached to the seat belt buckle to release the belt.

## Seat Belts

---

### SEAT BELT PRE-TENSIONER

The front seat belts are fitted with pre-tensioners that, in the event of a severe frontal impact, automatically pull the seat belt buckles down (towards the floor), to reduce any slack in both the lap and diagonal belts.

If the pre-tensioners have been activated, the seat belts will still function as conventional restraints and must be worn in the event that the car remains in a driveable condition.

**NOTE:** *The belt pre-tensioners will NOT be activated by impacts to the rear or side of the car, nor by minor frontal impacts.*

### WARNING!

- *The belt pre-tensioners will only operate once, after which they MUST BE REPLACED by a Rover dealer. Failure to replace the pre-tensioners, will reduce the effectiveness of the car's restraint systems.*
- *After ANY frontal impact, the seat belts and pre-tensioners MUST be checked and, if necessary, replaced by a Rover dealer.*
- *In the interests of safety, it is recommended that the seats and seat belt assemblies should be removed or replaced ONLY by a Rover dealer.*

### CENTRE REAR BELT

The central rear seating position is also fitted with a three point shoulder/lap belt, which should pass over the right hand shoulder.

### CARING FOR SEAT BELTS

Regularly inspect the belt webbing for signs of fraying, cuts and wear, also paying particular attention to the condition of the fixing points and adjusters.

Care should be taken to avoid contamination of the webbing from the affects of polish, oil and chemicals (see '*Cleaning & car care*').

### Three tests for checking seat belts

- 1) With the seat belt fastened, give the webbing near the buckle a quick upward pull - the buckle should remain securely locked!
- 2) With the seat belt unfastened, unreel the webbing to the limit of its travel. Check that unreeling is free from snatches and snags.
- 3) With the webbing half unreeled, hold the tongue plate and give it a quick forward pull - the mechanism must lock automatically and prevent any further unreeling!

If a seat belt should fail any of these tests, contact your dealer immediately.

### WARNING!

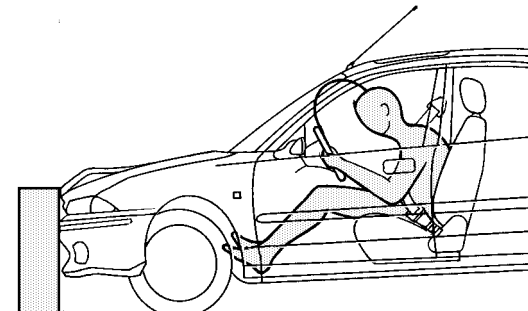
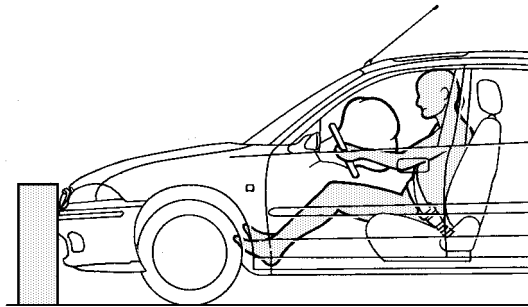
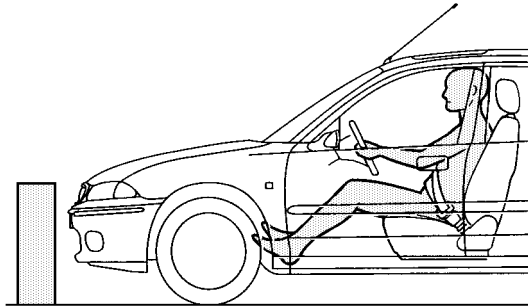
*Always replace a seat belt assembly that has withstood the strain of a severe vehicle impact, or one where the webbing shows signs of fraying.*

## Airbag SRS



The airbag supplementary restraint system (SRS) provides additional protection for either the driver, or the driver and front seat passenger, in the event of a severe frontal impact on the vehicle.

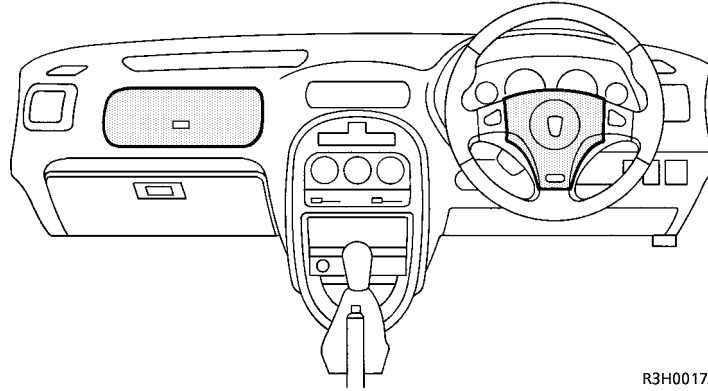
**Always remember; the airbag is a supplementary restraint system that provides ADDITIONAL protection in a frontal impact only; it does not replace the need to wear a seat belt. For maximum safety protection in all crash situations, a seat belt MUST be worn.**



R3H0016

## Airbag SRS

---



R3H0017A

### How the airbag SRS works

The airbag supplementary restraint system includes either: a single airbag module (mounted in the steering wheel centre pad) for the driver, or twin airbag modules (where shown in illustration) for both the driver and the front seat passenger.

In the event of a collision involving a frontal impact, a sensor monitors the force of the impact, to determine whether the airbag(s) should be inflated. Airbags will only inflate in severe frontal collisions and will not inflate at all in the event of side or rear impacts, roll over accidents, or minor frontal impacts.

Inflation is instantaneous and accompanied by a loud noise. Also evident may be traces of smoke and powder, neither of which are injurious, or indicative of a malfunction of the airbag system.

After inflation, an airbag module will deflate immediately, thereby ensuring that the driver's visibility is not impaired.

### WARNING!

*After inflation, some airbag components are hot - DO NOT touch until they have cooled.*

*An airbag inflates with considerable force and can cause facial abrasions and other injuries. The injurious affects of airbag inflation can be minimised, by ensuring driver and passenger are seated correctly, with the seat moved back as far as is practical, and the seat belts worn correctly.*

*NEVER attach accessory items to an airbag module cover (steering wheel centre pad or fascia panel), which could interfere with the inflation of the airbag or, if the airbag inflates, be propelled inside the car causing injury to the occupants.*

## Airbag SRS

---

### Safety information

Even with an airbag SRS, the driver must ALWAYS wear a seat belt, because:

- Inflation and deflation take place very quickly and will not provide protection against the effects of secondary impacts that can sometimes occur during multiple collisions.

In addition:

- DO NOT allow a front seat passenger to obstruct the operation of the airbag by placing feet, knees or any other part of their person in contact with, or in close proximity to the airbag module.
- For optimum safety, children should travel in the rear of the car at all times. However, if a passenger airbag is fitted and it is essential that a child travel in the front, set the seat fully rearward and seat the child in an approved, FORWARD FACING, child seat. DO NOT use a rear facing child seat - an inflating airbag could impact with the seat and cause serious injury to the child!

### Airbag SRS warning light

The warning light mounted on the instrument panel, will alert you to any malfunction of the airbag SRS. The system should be checked by your Rover dealer if:

- The warning light fails to illuminate when the starter switch is turned to position 'II'.
- The warning light fails to extinguish within approximately six seconds.
- The warning light illuminates after the engine is started.

### Service information

After a period of 10 years from the date of registration (or date of installation of a replacement airbag SRS), some components will need to be replaced (*see the airbag modules replacement date shown on page 2 of the Service Portfolio book*). To ensure absolute safety, this work must ONLY be carried out by a Rover dealer, who should stamp and sign the appropriate page of the Service Portfolio, once the work is complete.

In addition, ALWAYS contact your Rover dealer if:

- an airbag module inflates.
- the front of the car is damaged (even if the airbag has not inflated).
- any part of an airbag module cover (the steering wheel pad or fascia panel) shows signs of cracking or damage.



## Airbag SRS

---

### WARNING!

*DO NOT attempt to service, repair, replace or modify any part of the airbag SRS; tampering with any airbag component or wiring in the vicinity of an airbag component, could cause inadvertent activation of the system, resulting in personal injury.*

### IMPORTANT

*The components that make up the airbag SRS are sensitive to electrical or physical interference, either of which could easily damage the system, causing inadvertent operation or malfunction of the airbag.*

*ALWAYS seek the assistance of a Rover dealer to carry out any of the following:*

- *Removal or repair of any wiring or component in the vicinity of the airbag SRS components (yellow wiring harness), including; the steering wheel, steering column, instrument and fascia panels.*
- *Installation of electronic equipment such as; a mobile telephone, two-way radio or in-car entertainment system.*
- *Attachment of accessories to, or modification of, the front of the car.*

*In addition:*

*If you sell your car, be sure to inform the new owner that the car has an airbag SRS system and make the new owner aware of the airbag module replacement date shown in the Service Portfolio.*

*If the car is to be scrapped; uninflated airbags are potentially very dangerous and must be safely deployed in a controlled environment, before a vehicle is scrapped.*

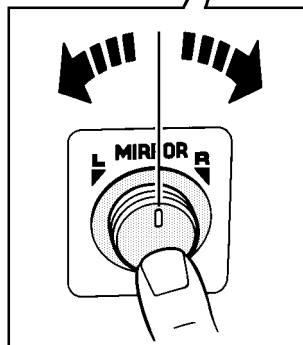
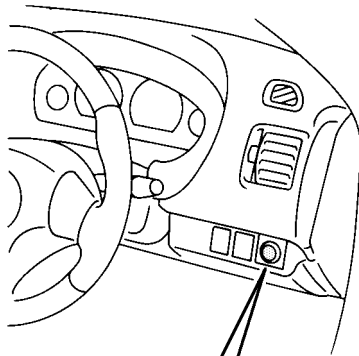
---

# Mirrors

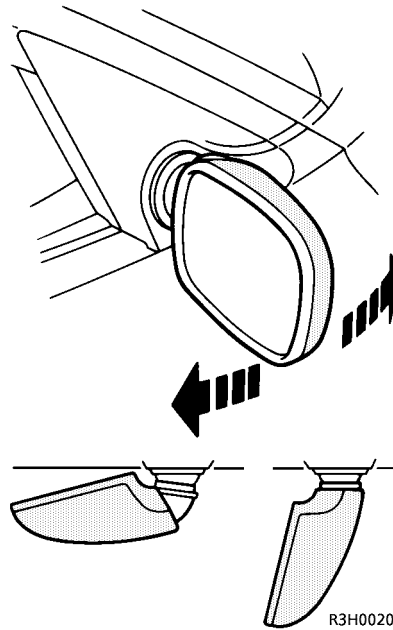
## EXTERIOR MIRRORS (Electrical operation)

### **Adjustment:**

- 1) Turn the mirror selector switch to the 'L' or 'R' position (to adjust either the left or right mirror).
- 2) With the starter switch turned to position 'II', press the appropriate side of the selector switch to tilt the mirror glass up/down/left or right.
- 3) When adjustment is complete, return the selector switch to the OFF position (midway between 'L' and 'R').



R3H0018



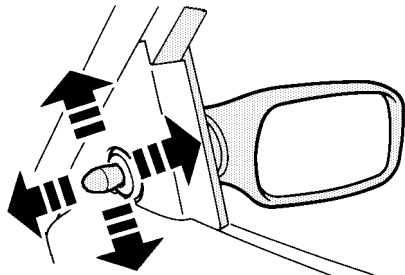
R3H0020

The mirror body is designed to fold rearwards on impact and can also be moved manually, in order to negotiate narrow openings.

### **Heating elements**

Electrically controlled exterior mirrors have automatic, integral heating elements for dispersing ice and mist.

# Mirrors

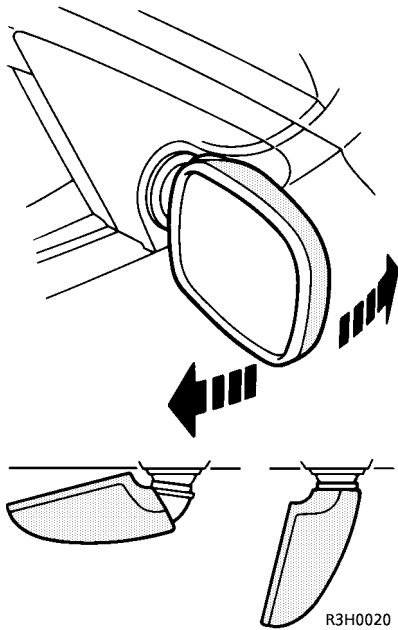


R3H0019A

## EXTERIOR MIRRORS

(Manual operation)

Manually operated mirrors are adjusted by moving the lever as shown in the illustration.



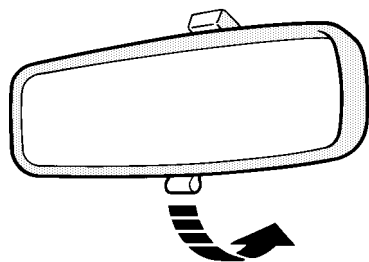
R3H0020

The mirror body is designed to fold rearwards on impact and can also be moved manually, in order to negotiate narrow openings.



## Mirrors

---



R3H0021

### INTERIOR MIRROR

The interior mirror can be dipped to reduce glare from following vehicles. At night, move the lever at the base of the mirror forward to 'dip' the mirror. Normal visibility is restored, by pulling the lever back to its original position.



### WARNING!

*In some circumstances, the view reflected in a 'dipped' mirror, can confuse the driver as to the precise position of following vehicles. Remember to take additional care!*

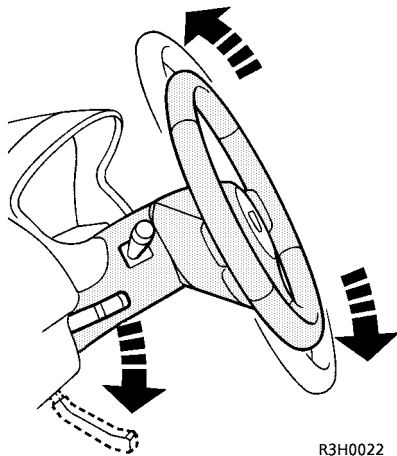
### VANITY MIRROR

To use the vanity mirror, pull down the passenger's sun visor.

To avoid possible scorching of the seats by the sun reflected in the vanity mirror, always return the visor to its stowed position when not in use.

## Steering Column

---



### STEERING COLUMN ADJUSTMENT

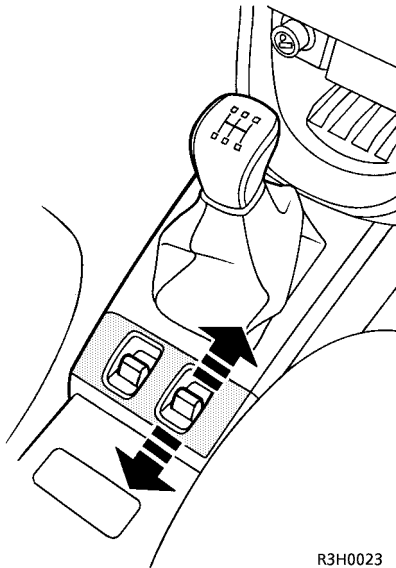
The angle of the steering column can be adjusted to suit your driving position:

- 1) With the car stationary, push the locking lever fully down to free the steering column.
- 2) Move the steering wheel (up or down) into a position which is comfortable, making sure the instrument panel is clearly visible.
- 3) When adjustment is complete, pull the locking lever fully up to lock the steering column in position.

#### **WARNING!**

*DO NOT adjust the steering column while the car is in motion. This is extremely dangerous!*

# Windows



## WARNING!

*Accidental closing of an electrically operated window on fingers, hands or on any other vulnerable parts of the body, can result in serious injury!*

*Always heed the following precautions:*

- *ENSURE children are kept clear when raising or lowering windows.*
- *DO NOT leave children alone in the car.*
- *ENSURE that all adult passengers are familiar with the controls and the potential dangers of electrically operated windows.*

## ELECTRIC WINDOW CONTROLS

(if fitted)

### Operating the windows

The electric windows can only be operated when the starter switch is at position 'II' and for up to 30 seconds after the starter switch is turned off (provided a door is not opened in the meantime).

### Driver's window

**NOTE:** *The driver's door window is fitted with a 'one touch' open facility, enabling the window to be opened fully with one press of the switch.*

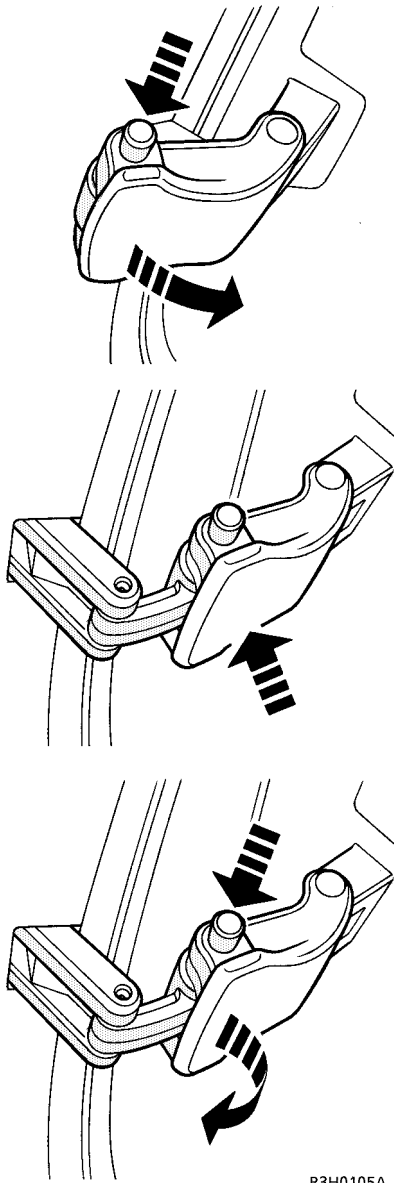
To open the driver's window, push the switch forward and release - the window will continue opening until either it is fully open, or until motion is stopped by briefly pulling the switch to the rear.

To close the driver's window, pull the switch to the rear - the window will stop moving, as soon as the switch is released.

### Front passenger window

Push the switch forwards to open and to the rear to close - the window will stop moving, as soon as the switch is released.

# Windows



## REAR VENTILATOR WINDOWS

(3-door models only)

To open, depress the button, pull the catch forwards and push outwards.

To close, depress the button and pull the centre of the catch inwards, then push rearwards until the catch is felt to 'snap' into the locked position.

## SUNROOF

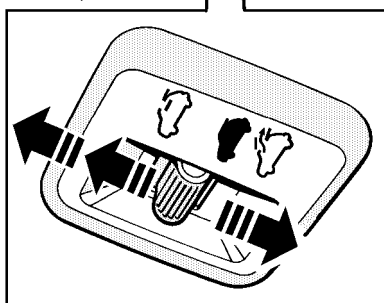
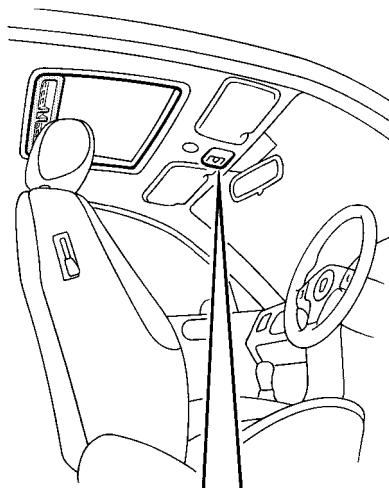
### WARNING!

*Accidental closing of the sunroof on fingers, hands or on any other vulnerable part of the body, can result in very serious injury.*

*Always heed the following precautions:*

- *ENSURE* passengers are kept clear when closing the roof.
- *DO NOT* leave children alone in the car.
- *ENSURE* that all adult passengers are familiar with the controls and the potential dangers of operating the sunroof.
- *DO NOT* allow passengers to extend any part of their bodies through the sunroof while the car is moving.

## Sunroof



R3H0024B

### WARNING!

*DO NOT open or close the sunroof in sub-zero temperatures, or when the roof is covered with snow or ice - damage to the motor or roof panel could occur.*

### SUNROOF OPERATION

(if fitted)

The sunroof can be operated when the starter switch is turned to position 'II' and for up to 30 seconds after the starter switch is turned off, unless a door is opened in the meantime.

#### Opening and closing

Pull the switch to the rear to open, push forward to close. Movement of the roof will stop as soon as the switch is released.

The sunroof opens in two stages:

- 1) Pull the switch to the rear - the roof will open until it reaches a pre-set aperture, calculated to minimise air turbulence within the car.
- 2) Pull the switch to the rear a second time and the roof continues opening to its maximum aperture.

Note that the roof also closes in two stages.

**NOTE:** *The sunroof visor slides open automatically when the sunroof is opened, but must be closed manually. Rear edge tilt ventilation will be increased by opening the visor.*

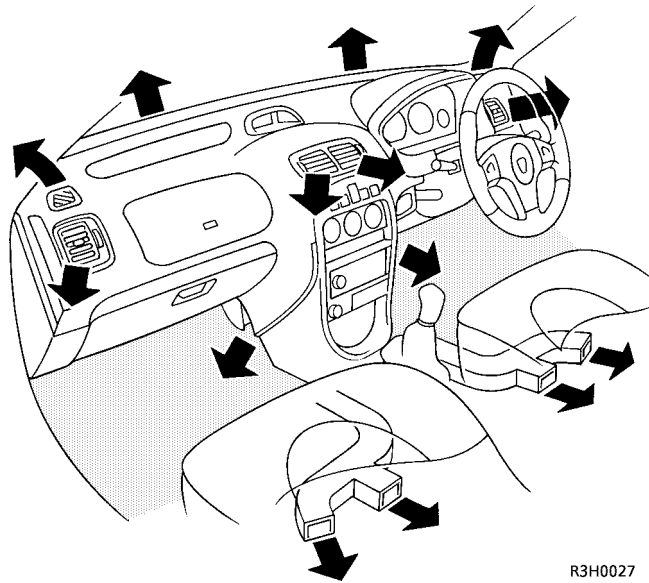
#### Tilting the rear edge

To raise the rear edge of the roof; with the sunroof closed, push the switch forward.

To return the tilted roof to the closed position, pull the switch rearward.

## *Heating & Ventilation*

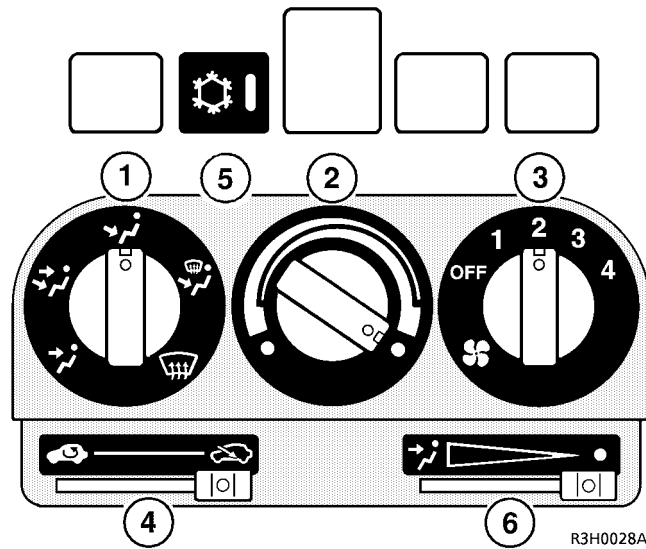
---








R3H0027

The heating and ventilation system provides fresh or heated air to the interior of the car. Air outlets are provided to the windscreen, face and feet - the location of the vents is shown in the illustration above. Information concerning the operation of the heating and ventilation system, as well as the air conditioning, appears on the pages that follow.

## Heating & Ventilation



### 1. Air distribution control

-  Face level vents only.
-  Foot and face level vents.
-  Foot level vents.
-  Foot level, windscreen and side window vents.
-  Windscreen and side window vents.

### 2. Air temperature control

- BLUE: Unheated air
- RED: Heated air

### 3. Blower switch

Turn the switch clockwise to increase the blower speed.

### 4. Recirculated air supply control

With the control moved to the left, the heater recirculates the air already inside the car, preventing the entry of traffic fumes.

Move the control to the right to permit fresh air to be drawn into the car.

**NOTE:** Leaving the system in recirculation mode can cause the windscreen to mist. If this happens, switch off recirculation (move control to the right) immediately.

## Heating & Ventilation

---

### 5. Air conditioning switch

Press to switch on (switch indicator light illuminates). Press again to switch off.

To help cool the engine, the air conditioning fans may continue to operate for up to five minutes after the starter switch is turned off. During this period, if the air conditioning and blower switches are left on, the switch indicator light will remain illuminated.

**NOTE:** *The air conditioning will not operate, if the blower switch is turned off.*

### 6. Centre face level vents - air flow lever

With the lever moved to the right, the temperature of air from the centre face level vents is governed entirely by the air temperature control (2).

However, with the lever moved to the left, fresh air is drawn into the system and blended with heated air from the heater unit. This enables cooler air to be directed towards the face whenever the air temperature control is set to supply warm or hot air to the remainder of the heating system.

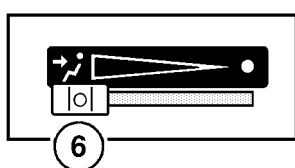
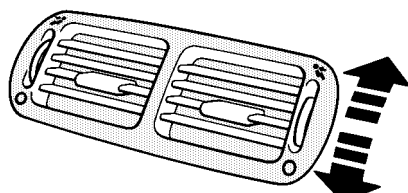
Note that this function is of particular value in cold weather when the heater unit is required to heat the interior of the car, but it is desirable to have cooler air directed towards the driver's face.

### Pollen filter - if fitted

A pollen filter, located behind the glovebox, will help to keep the car interior free from pollen and dust. To remain fully effective, the filter should be replaced at every main service.



## Heating & Ventilation

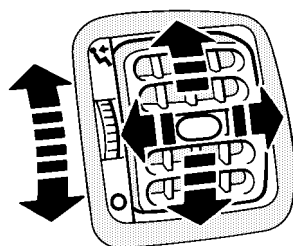


R3H0030

### Centre face level vents

Rotate the thumbwheel up to open, or down to close the vents. Direct the air flow by moving the control in the centre of the louvres up and down, or from side to side.

Use the air flow lever (6), described previously, to open or close the heater bypass.



R3H0029

### Side face level vents

Rotate the thumbwheel up to open, or down to close the vents. Direct the air flow by moving the control in the centre of the louvres, either up or down, or from side to side.

# Heating & Ventilation

## USING YOUR HEATER

Fresh air enters the heater through the air intake grille in front of the windscreen and is extracted through vents at the rear of the car. The air intake grille must always be kept clear of obstructions, including leaves, snow and ice.

The heating system uses heat from the engine to warm the air inside the car. For this reason, the heater unit will not operate unless the engine is running, and full heating is not available until the engine has reached its normal operating temperature.

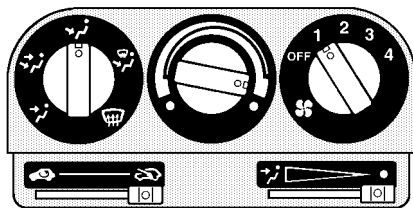
The following examples, show some basic heating and ventilation settings. Further adjustment of the controls, will result in a wider range of options, enabling you to obtain the most suitable output from the heater at all times.

Remember; with the blower switched off, the volume of air entering the car is dependent on driving speed alone.

**NOTE:** Footwell ducts beneath the front seats provide heating for rear passengers. Do not obstruct them by placing luggage under the seats.

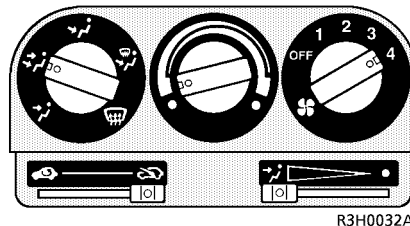
### Heating

Set the controls as shown. Increase the blower speed as required and adjust the centre face level vents to emit heated air only.



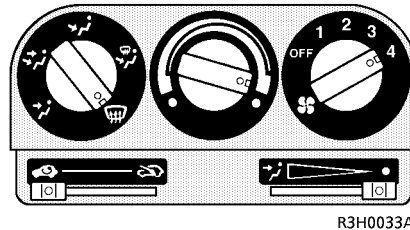
### Maximum ventilation

Set the controls as shown. Open all the face level vents and adjust the centre vents to deliver fresh, unheated air. When the car interior reaches a satisfactory temperature, adjust the blower speed to the most comfortable setting.



### Defrost windscreen

Set the controls as shown. To obtain maximum heated air flow from windscreen and side window vents, keep the face level vents closed.



## Heating & Ventilation

### AIR CONDITIONING

(if fitted)

The air conditioner provides additional cooling and also reduces moisture from the air.

#### Using the air conditioning

The air conditioning can only be used when the engine is running. It is also important to keep the windows and sunroof closed.

**NOTE:** *The air conditioner will only operate when the blower is switched on. It will not operate with the blower switched off, nor when the temperature is near freezing point.*

Operation of the air conditioning system places an extra load on the engine. In very hot conditions, or when the engine is required to work unusually hard (climbing long hills or driving in congested traffic, for example), this could result in high engine temperatures. If the pointer nears the RED zone of the temperature gauge, switch off the air conditioning until the engine temperature returns to normal.

To help cool the engine, the air conditioning fans may continue to operate for up to five minutes after the starter switch is turned off. During this period, if the air conditioning and blower switches are left on, the switch indicator light will remain illuminated.

In conditions of high humidity, slight screen misting may be experienced when the air conditioning system is switched on. This is a natural occurrence on most automotive air conditioning systems. It is not a fault; misting will clear after a few seconds once the air conditioning system is operating.

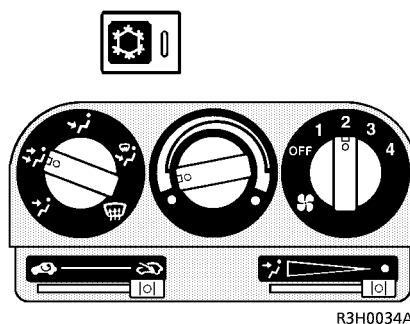
#### Maintaining the air conditioning

The air conditioning system is sealed and major maintenance should only be carried out by a qualified technician. To maintain the system in peak condition however, owners should ensure that the system is operated for a short period every week (even during the cold winter months); with the engine at its normal operating temperature, run the air conditioning for at least ten minutes while driving at a steady speed.

Surplus water, produced by the dehumidifying process, is expelled from the system via drain tubes beneath the car. This may result in a small pool of water forming on the road when the car is stationary and is not a cause for concern.

#### Cooling

After starting the engine, press the air conditioning switch to operate the air conditioner. Set the blower speed, air distribution and temperature controls to suit your requirements.



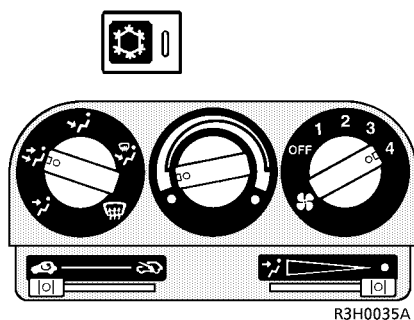
## Heating & Ventilation

### Rapid cooling

Start the engine and switch on the air conditioning.

Set the blower to maximum speed and switch on air recirculation (this will prevent warm air being drawn into the car from outside).

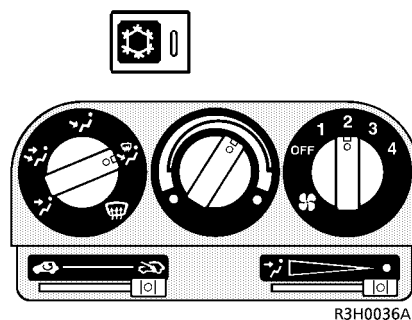
Once the interior is cool, switch off air recirculation and then reset the blower as required.



### Reducing humidity

Air conditioning reduces moisture from the air and can be used to demist windows quickly in damp weather. Used in conjunction with the heater, it also makes the interior of the car warm and dry.

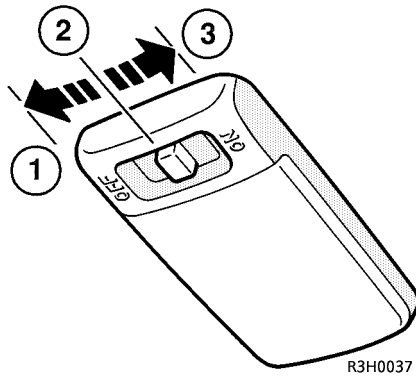
This setting is ideal for most driving conditions, when the outside temperature is above freezing point. After switching on the air conditioner, initially set the controls as shown and progressively adjust the temperature control and blower speed, to suit your requirements.



**NOTE:** If the car interior is particularly hot when you start the engine, it will take time for the air conditioner to become fully effective. Before switching on the air conditioning, it is best to ventilate the car for a short while by operating the blower at a fast speed, with windows and sunroof open. Remember to close the windows and sunroof before you operate the air conditioner.

## Interior Equipment

### INTERIOR LIGHT



#### **Switch positions:**

1. - Light permanently off
2. - Light illuminates automatically when a door is opened
3. - Light illuminates continuously

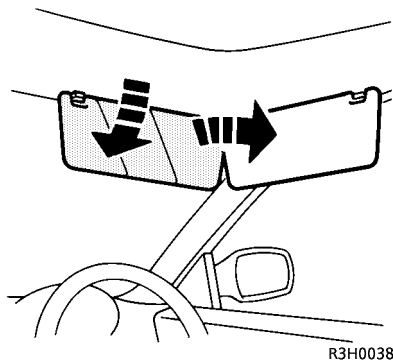
With the switch in the centre position, the interior light illuminates automatically whenever a door is opened and remains illuminated for 15 seconds after all the doors are closed, or until the starter switch is turned on.

### LUGGAGE COMPARTMENT LIGHT

Illuminates automatically when the taildoor is opened.

### GLOVEBOX LIGHT

Operates automatically when the exterior lights are switched on and the glovebox lid is opened.

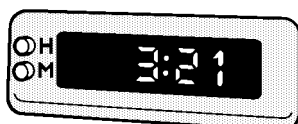


### SUN VISOR

To shield your eyes from the sun, pull the visor down from the roof; the visor can be used to shield the upper part of the windscreen, or the side window as required.

**NOTE:** The passenger's sun visor is fitted with a vanity mirror on the underside.

## Interior Equipment



R3H0039

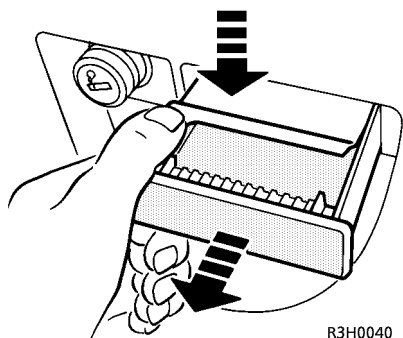
### CLOCK

The digital clock display illuminates when the starter switch is turned on and dims for night viewing when the sidelights are switched on.

Press the hour ('H') and minute ('M') buttons to set the time. If both buttons are pressed together, the display will change between 24 hour and 12 hour displays.

On some models, the clock also displays information about the operation of the audio unit fitted to your car (see the *'In-Car Entertainment'* book for details).

**NOTE:** *If the battery is disconnected, the clock will need to be reset.*



R3H0040

### FRONT ASHTRAY

Pull the front of the ashtray to open. To remove for emptying, depress the release plate (arrowed in illustration) and pull out the drawer as shown.

#### WARNING!

*Ashtrays are fire hazards - DO NOT use for waste paper or other combustible materials.*

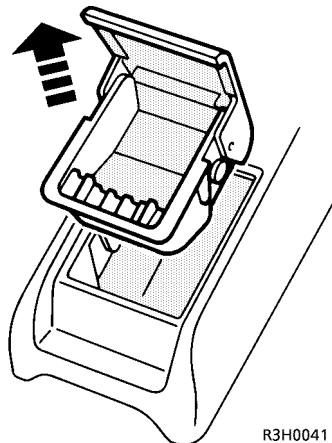
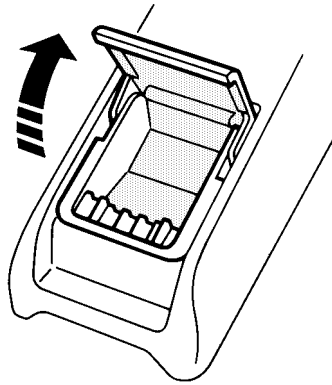
## Interior Equipment

### REAR ASHTRAY

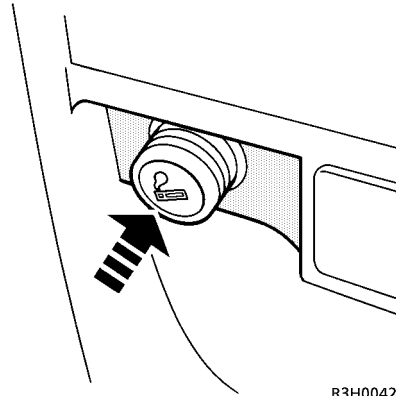
Lift lid to open. To remove for emptying, lift the lid and carefully pull the body of the ashtray upwards.

#### WARNING!

*Ashtrays are fire hazards - DO NOT use for waste paper or other combustible materials.*



R3H0041



R3H0042

### CIGAR LIGHTER

With the starter switch turned to position 'II', push the lighter in to heat up. When ready, the lighter will partially eject and can then be withdrawn for use. DO NOT hold the lighter in while it is heating - this could cause it to overheat.

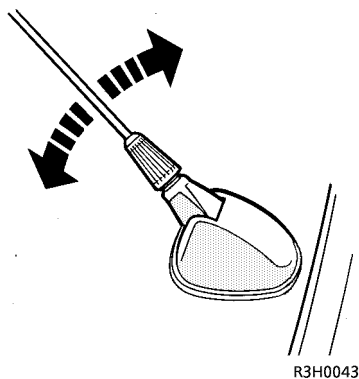
#### WARNING!

*Hold the cigar lighter by the handle ONLY!*

*DO NOT plug accessories into the cigar socket, unless they are approved for this use by Rover.*

## *In-Car Entertainment*

---



### **RADIO AERIAL**

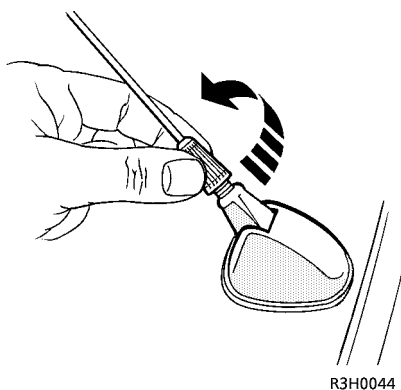
Your car is equipped with a detachable mast aerial, mounted on the roof.

#### **Aerial height**

Always check the available headroom and, if necessary, adjust the angle of the aerial (see illustration) before entering, or leaving, a garage or car park with insufficient headroom.

#### **WARNING!**

*ALWAYS unscrew and remove the aerial, before entering an automatic car wash.*



### **RADIO/CASSETTE PLAYER**

Full operating instructions for any audio equipment fitted as standard to your car, are contained in the separate *'In-Car Entertainment'* book in the vehicle literature pack.

#### **Radio display**

On R770 audio units, the digital display is housed in a separate unit, remote from the audio unit, and sharing a dual function with the digital clock.

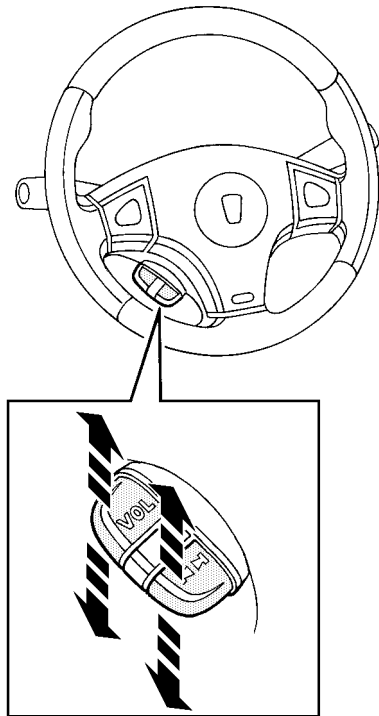
#### **CD autochanger** *(if fitted)*

The CD autochanger is located on the left side of the luggage compartment. Full operating instructions are contained in the *'In-car Entertainment'* book.



## *In-Car Entertainment*

---



R3H0106

### REMOTE RADIO CONTROLS (if fitted)

**VOL.**

#### **Volume control**

Lift or press the switch to increase or decrease volume. The switch can also be used to adjust bass, treble balance and fader levels, when used in conjunction with the audio select button on your radio cassette player.



#### **Search/select control**

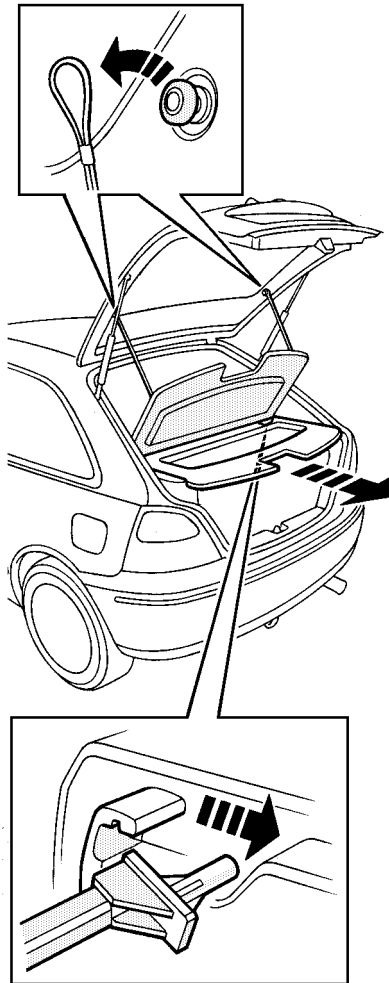
Lift or press the switch to search forwards or backwards through the frequency range.

On cars fitted with a CD autochanger, lift the switch to advance to the next track, or press to return to the beginning of the current track.

Operate the control repeatedly, to move forward or back through several tracks at a time.

## Load Carrying

### REAR WINDOW SHELF



R3H0045

#### WARNING!

*Take care to avoid contact with a hot exhaust system when standing at the rear of the car.*

The rear window shelf can be removed, to increase the height of the luggage area, as follows:

Release the lifting straps. Then, with the shelf horizontal, hold the front edge and pull smartly to the rear, to disengage the shelf from the retaining clips on each side.

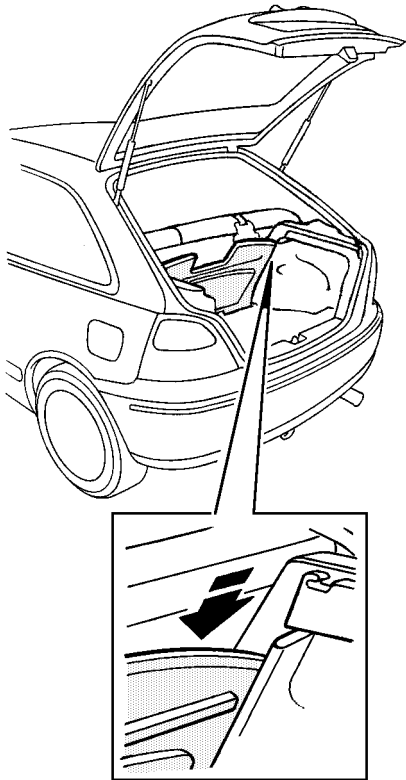
To refit, position the shelf with the two locating pins set into the retaining clips on both sides. Then, push the shelf firmly towards the front of the car, making sure it is securely clipped in position before attaching the lifting straps and closing the taildoor.

#### WARNING!

*DO NOT carry hard, heavy, or sharply pointed objects on the rear window shelf - they could damage the rear window demisting elements, or become dangerous projectiles in the event of an accident or emergency braking.*

## Load Carrying

---



R3H0108

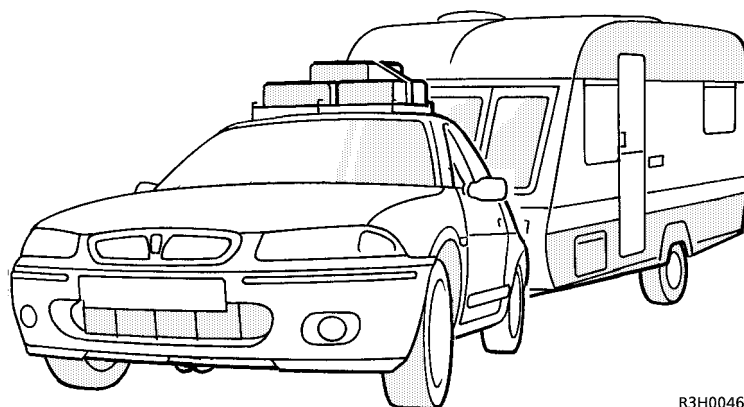
Once removed, the shelf can be stowed within the luggage compartment, without restricting the luggage area, as follows:

Lift the front edge of the shelf (nearest the seat) and slide it vertically into the channel behind the rear seats.



## Load Carrying

---



R3H0046A

### TOW BARS & ROOF RACKS

Only fit accessories that have been designed and approved for your car. Your Rover dealer can provide details of all Rover approved tow bars and roof racks.

#### **Tow bars**

The permissible maximum towing weight, maximum rear axle weight and towing hitch load, are shown under 'Weights' in the 'Technical Data' section of this handbook. In the interest of safety, these must not be exceeded!

#### **Roof racks**

The total roof rack load, which must include the weight of the roof rack, must NEVER exceed that shown under 'Weights' in the 'Technical Data' section.

#### **WARNING!**

- *A loaded roof rack can reduce the stability of your car, particularly when cornering and encountering crosswinds.*
- *All loads should be evenly distributed, and secured within the periphery of the rack.*
- *Only fit a roof rack that has been designed for your car. If in doubt, consult your dealer.*

## Load Carrying

### FOLDING THE REAR SEATS

#### WARNING!

*Take care to avoid contact with a hot exhaust system when standing at the rear of the car.*

The backrest is divided into two parts; either, or both of which, can be folded forward to increase the luggage space. Pull the seat back slightly rearwards and lift the backrest release catches (see inset), to release the backrest.

#### Accommodating long loads

Remove the head restraint from the front passenger seat (see 'Seats'), move the front passenger seat forwards as far as possible and fully recline the backrest. Finally, fold the appropriate part of the rear seat backrest fully forward as shown.

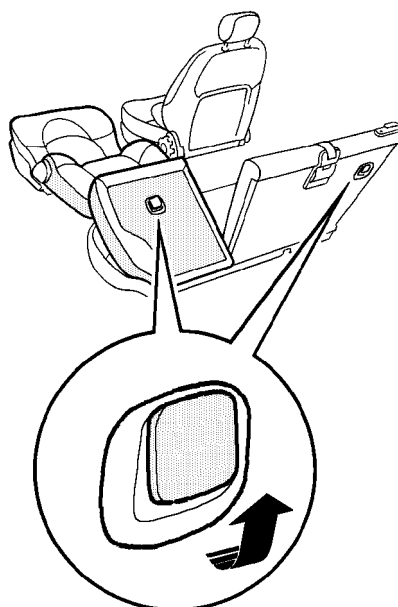
When returning the seat to its normal, upright position, ensure that the rear seat belts are not trapped behind the backrest and that the seat retaining catches are securely latched.

#### 'Latch secure' indicator

A 'latch secure' indicator, located on the top of the larger portion of the rear seat backrest, will pop up when the catches are released, showing a red band.

When returning the seats to their upright position, ensure the indicator drops back into the backrest and that the red band is no longer visible - this confirms that the larger portion of the backrest is secure.

**NOTE:** The 'latch secure' indicator does NOT relate to the smaller portion of the backrest - this must be checked individually.



R3H0047A

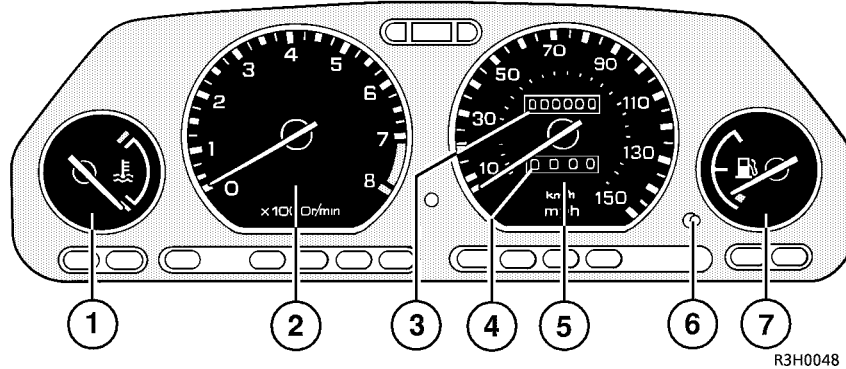
#### WARNING!

*Ensure the rear seat backrests are securely latched in the upright position when the seat is in use and when loads are carried in the luggage area behind.*

*DO NOT carry unsecured equipment, tools or luggage that could move, causing personal injury in the event of an accident, or emergency manoeuvre.*

*DO NOT carry long loads which require driving with the taildoor open - poisonous fumes will be drawn into the interior of the car!*

## Instruments



R3H0048

*Petrol models*

### INSTRUMENTS

#### 1. Temperature gauge

This gauge indicates the temperature of the engine coolant. During normal operation, the pointer will rise from the lower (cold) mark to the middle part of the gauge, where it will remain while the engine is operating at its normal temperature.

In severe driving conditions, such as very hot weather or extended hill climbing, the pointer may reach the upper WHITE mark. If the pointer rises to the RED mark, the coolant is too hot and severe engine damage could result; stop the car as soon as safety permits and seek qualified assistance.

#### 2. Tachometer

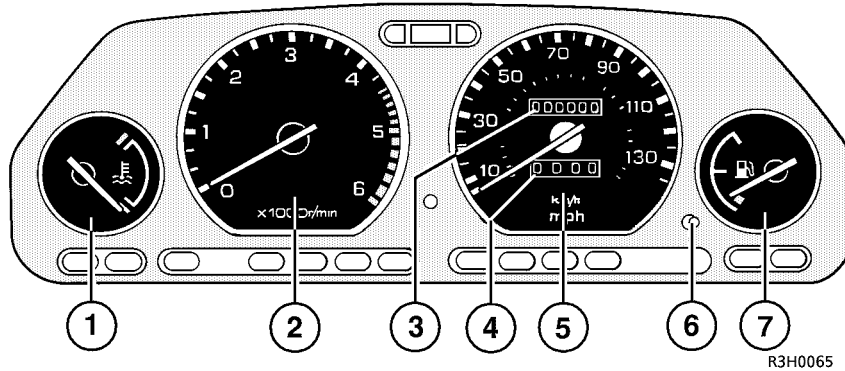
Indicates engine speed in revolutions per minute. To protect the engine from damage, NEVER allow the tachometer pointer to enter the RED sector.

**NOTE:** *Speed restriction limiters will prevent engine speed rising above a pre-determined level.*

#### 3. Total distance recorder

Indicates the total distance travelled by the car.

## Instruments



*Diesel models*

### INSTRUMENTS

#### 4. Trip recorder

Records individual journey distances. Before starting a journey, press the trip recorder reset button to 'zero' the reading.

#### 5. Speedometer

Indicates road speed in miles per hour and/or kilometres per hour.

#### 6. Trip recorder reset button

Press to return the trip recorder to zero.

#### 7. Fuel gauge

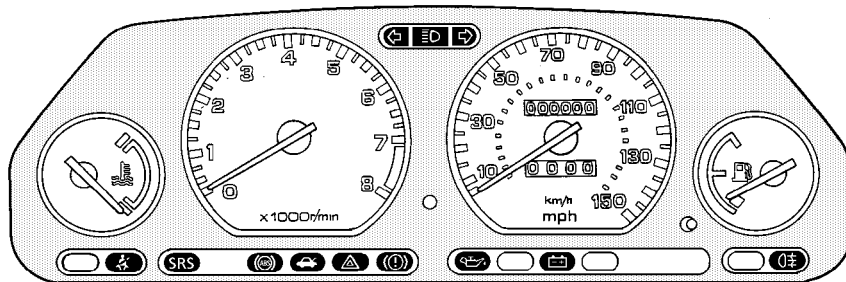
The pointer indicates the fuel level, even when the starter switch is turned off. After refuelling, the gauge slowly rises to the new level after the starter switch is turned on.

**NOTE:** *Driving on twisting or hilly roads, may disturb the accuracy of the gauge. It is advisable to check the fuel level when the car is on level ground.*

#### **WARNING!**

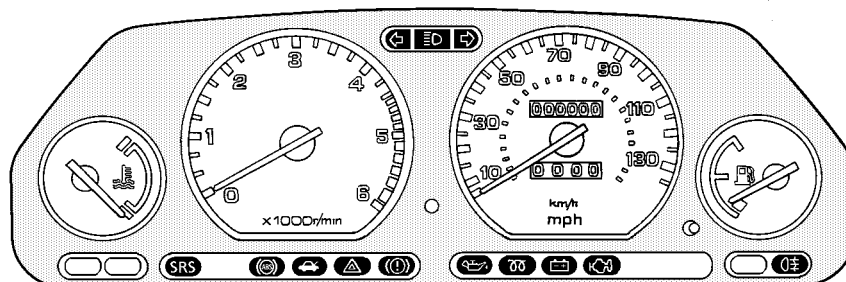
*NEVER allow the car to run out of fuel (the resultant misfire could destroy the catalytic converter).*

## Warning Lights



R3H0049A

*Petrol models*



R3H0068

*Diesel models*



### **Check engine - RED** (diesel only)

The light illuminates when the starter switch is turned to position 'II' and extinguishes after approximately six seconds. If it remains on, or illuminates at any other time, the engine's emission control system requires attention. Stop the car and switch off the engine for at least 30 seconds; if the light illuminates again after the engine is restarted, it is permissible to continue driving, but qualified assistance must be sought as soon as possible to prevent potential engine damage.



### **Battery charging - RED**

The light illuminates as a bulb check when the starter switch is turned to position 'II' and extinguishes as soon as the engine is running. If it remains on, or illuminates whilst driving, a fault with the battery charging system is indicated. Seek qualified assistance urgently.



## Warning Lights

---



### Low oil pressure - RED

Illuminates as a bulb check when the starter switch is turned to position 'II' and extinguishes when the engine is started. If the light remains on, flashes on and off, or illuminates continuously whilst driving, serious engine damage could occur; stop the car as soon as safety permits and SWITCH OFF THE ENGINE IMMEDIATELY. Seek qualified assistance before driving.



### Luggage compartment open - RED

Illuminates if the taildoor is open. DO NOT drive the car with the light illuminated - poisonous exhaust fumes will enter the car.



### Glow plugs - AMBER (diesel only)

Illuminates when the starter switch is turned to position 'II'. When the engine is cold, wait for the light to extinguish before starting.



### Direction indicators - GREEN

The left or right warning light flashes in time with the left or right direction indicator lights, whenever they are operated. If either warning light fails to illuminate, or flashes very rapidly, this means that one of the indicator lights is not operating.

**NOTE:** If the hazard warning lights are operated, both direction indicator warning lights will flash together.



### Headlight main beam - BLUE

Illuminates when the headlights are switched to main beam.



### Handbrake & brake system - RED

The light illuminates when the handbrake is applied and extinguishes when it is fully released. If the light illuminates while the handbrake is released, a fault with the braking system is indicated and you should seek qualified assistance urgently.



### Hazard warning lights - RED

Illuminates in conjunction with the direction indicator warning lights, when the hazard warning lights are operated.



### Anti-lock braking system - AMBER

The warning light illuminates when the starter switch is turned to position 'II' and extinguishes after approximately two seconds. If the light illuminates at any other time, there is a fault with the ABS system; on completion of your journey, seek advice from your dealer before further vehicle use.

## Warning Lights

---



**SRS**

### **Airbag supplementary restraint system - RED**

The light illuminates when the starter switch is turned to position 'II' and extinguishes within approximately six seconds. If the light fails to illuminate, or illuminates once the engine is started, the system is faulty - seek qualified assistance urgently.



**☼**

### **Rear fog guard light - AMBER**

Illuminates when the rear fog guard lights are on and extinguishes when they are turned off.

**NOTE:** *The rear fog guard lights will only operate with the headlights turned on and will extinguish (and need to be reselected) when the headlights are turned off.*

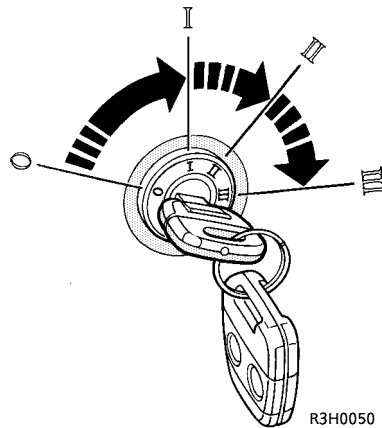


**⚠**

### **Seat belt warning light - RED (Japan only)**

If the driver's seat is occupied, the light illuminates when the starter switch is turned to position 'II' and extinguishes after approximately six seconds, or when the seat belt is fastened. Always fasten your seat belt before driving.

## Starting & Driving



### STARTER SWITCH & STEERING LOCK

The starter switch uses the following sequence of key positions to operate the steering lock, electrical circuits and starter motor:

#### 'O' - Steering locked

With the key removed, the steering column will be locked and most electrical circuits are non-operational.

#### 'I' - Steering unlocked

Turn the switch to position 'I' to unlock the steering. The radio/cassette player can now be operated.

#### 'II' - Electrical circuits on

With the switch in position 'II', all instruments, lights and electrical circuits are operational.

#### 'III' - Starter motor operates

Turn the switch to position 'III' to operate the starter motor; release the key as soon as the engine starts (the key will automatically return to position 'II').

### STEERING LOCK

#### **To unlock the steering:**

Insert the key FULLY and turn the starter switch to position 'I' - a small movement of the steering wheel may be necessary to disengage the lock.

#### **To lock the steering:**

With the starter switch turned to position 'O', remove the key and turn the steering wheel until the lock engages.

### WARNING!

*Once the steering lock is engaged, it is impossible to steer the car.*

*DO NOT remove the key, or turn the starter switch to position 'O', while the car is in motion.*

## Starting & Driving

---

### PETROL MODELS

#### WARNING!

*Before starting the engine, ENSURE you are familiar with the procedures below.*

*Catalytic converters are easily damaged through improper use, particularly if the wrong fuel is used, or if an engine misfire occurs - before starting the engine, you should be aware of the precautions detailed in the 'Catalytic converter' section.*

*Never start, or leave the engine running, in an unventilated building - exhaust gases are poisonous and contain carbon monoxide, which can cause unconsciousness and may even be fatal.*

#### Starting the engine

- 1) Check that the handbrake is on and that the gear lever is in neutral ('P' for automatic transmission).
- 2) Switch off all unnecessary electrical equipment (including the air conditioning).
- 3) Turn the starter switch to position 'III' and release the key as soon as the engine has started.

DO NOT press the accelerator pedal while starting and DO NOT operate the starter for more than 15 seconds at a time. If the engine fails to start, switch off and wait for at least 10 seconds before trying again.

**NOTE:** *When the battery is in a low state of charge, on manual gearbox cars depress the clutch before starting and hold it down until the engine is running.*

#### What to do if the engine fails to start, or starts but will not continue running:

- Press the accelerator pedal half way down while operating the starter. DO NOT operate the starter for more than 15 seconds and release the accelerator as soon as the engine fires.
- If the engine still fails to start, operate the starter again, this time FULLY depressing the accelerator pedal to clear the engine of excess fuel. Ensure the starter motor is not operated for more than 15 seconds and release the accelerator as soon as the engine has started.
- DO NOT pump the the accelerator pedal during starting.

#### Starting in cold climates

In freezing conditions, fully depress the clutch pedal while starting and hold it down until the engine is running. Note that engine cranking times will increase and that the battery charging and oil pressure warning lights may take several seconds to extinguish.

#### Warming up

In the interest of fuel economy, it is advisable to drive the car soon after starting, remembering that harsh acceleration, or labouring the engine before the normal operating temperature has been reached, can damage the engine.

# Starting & Driving

## DIESEL MODELS

### WARNING!

*Before starting the engine, ENSURE you are familiar with the precautions shown below.*

*Catalytic converters are easily damaged through improper use, particularly if the wrong fuel is used, or if an engine misfire occurs - before starting the engine, you should be aware of the precautions detailed in the 'Catalytic converter' section.*

*Never start or leave the engine running, in an unventilated building - exhaust gases are poisonous and contain carbon monoxide, which can cause unconsciousness and may even be fatal.*

### Starting the engine

- 1) Check that the handbrake is applied and that the gear lever is in neutral.
- 2) Switch off all unnecessary electrical equipment.
- 3) Insert the key and turn the starter switch to position 'II'. Wait until the glow plug warning light extinguishes.
- 4) Turn the key to position 'III', to operate the starter motor; DO NOT press the accelerator pedal during starting and RELEASE THE KEY as soon as the engine is running. If the engine stalls, you MUST return the starter switch to position '0', then turn the starter switch to position 'II' and wait until the glow plug warning light goes out before attempting to restart; the engine will not start by turning the starter switch from position 'II'.

**NOTE:** *When the battery is in a low state of charge, depress the clutch pedal while starting and hold it down until the engine is running.*

In temperate climates, DO NOT operate the starter for longer than 10 seconds; if the engine fails to start, switch off and wait for 10 seconds before re-using the starter.

### Starting in cold climates

In temperatures of -10° C (14° F) and below, partially depress the accelerator pedal and fully depress the clutch pedal while starting. Keep the pedals in this position until the engine is running. Note that engine cranking times will increase - but must not exceed 15 seconds - and that the battery charging and oil pressure warning lights may take several seconds to extinguish.

### Warming up

In the interests of fuel economy, it is advisable to drive soon after starting, remembering that harsh acceleration, or labouring the engine before normal operating temperature has been reached, can damage the engine.

### WARNING!

*The engine must not be run above fast idle speed, until the oil pressure warning light extinguishes. This will ensure that the engine and turbocharger bearings are properly lubricated before being run at normal driving speeds.*

### Switching off

To avoid the possibility of damaging the turbocharger bearings through inadequate lubrication, ALWAYS allow the engine to idle for 10 seconds before switching off.

## Starting & Driving

### ALL MODELS

#### Parking

After bringing the car to a stop, ALWAYS apply the handbrake and select neutral ('P' for cars with automatic transmission), before releasing the foot brake and switching off the engine.

#### WARNING!

*After switching off, cooling fans may continue rotating for several minutes to prevent the engine from overheating. In some circumstances, the cooling fan may not start rotating until after the engine is switched off. If the bonnet is opened, keep clear of fans whenever the engine is warm.*

#### RUNNING-IN

The engine, gearbox, brakes and tyres need time to 'bed-in' and adjust to the demands of everyday motoring. During the first 600 miles (1,000 km) it is essential that you drive with consideration for the running-in process and heed the following advice:

- DO NOT allow the engine to exceed 3,000 rev/min in any gear.
- DO NOT operate at full throttle in any gear.
- DO NOT allow the engine to labour in any gear.
- AVOID heavy braking.

After the running-in distance has been completed, engine speeds may be gradually increased.

#### FUEL ECONOMY

Fuel consumption is influenced by two major factors:

- How your car is maintained.
- How you drive.

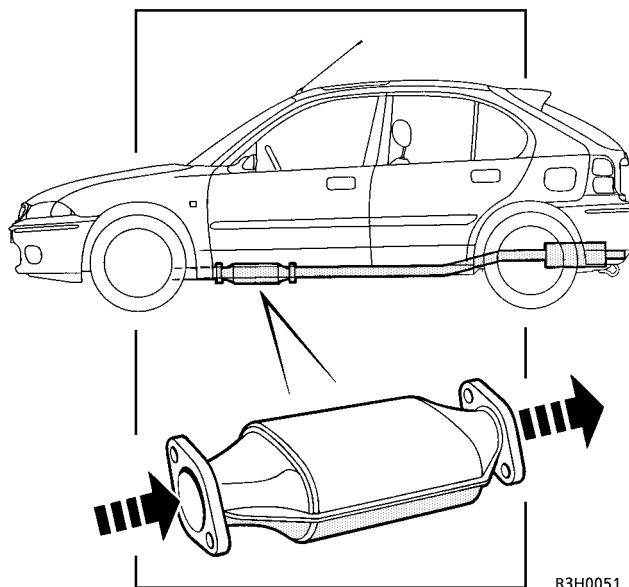
To obtain optimum fuel economy, it is essential that your car is maintained in accordance with the manufacturers recommendations.

Items such as the condition of the air cleaner element, tyre pressures and wheel alignment, can have a significant effect on fuel consumption. But above all, the way in which you drive is most important. The following hints may help you to obtain even better value from your motoring:

- Avoid unnecessary short, start-stop journeys.
- Avoid fast starts, by accelerating gently and smoothly from rest.
- Do not drive in the lower gears for longer than necessary.
- Decelerate gently and avoid sudden and heavy braking.
- Anticipate obstructions and adjust your speed accordingly well in advance.

**Always remember;  
driving gently saves fuel!**

## Catalytic Converter



The exhaust system on your car incorporates a catalytic converter, which converts poisonous exhaust emissions from the engine into environmentally less harmful gases, thereby reducing atmospheric pollution.

### **WARNING!**

*The catalytic converter can be easily damaged through improper use, particularly if the wrong fuel is used. For this reason, it is VERY IMPORTANT that you heed the following precautions:*

### **Filling up with fuel:**

- Use ONLY fuel recommended for your car (see 'Fuel system').

### **Starting the engine:**

- DO NOT continue operating the starter, if the engine fails to start after a few attempts (unburnt fuel may be drawn into the exhaust system, thereby damaging the catalyst) - seek qualified assistance.
- If a misfire is suspected when starting, DO NOT drive the car, or attempt to clear the misfire by pressing the accelerator pedal. DO NOT attempt to push or tow start the car. Instead, turn the starter switch off immediately and seek qualified assistance.

## Catalytic Converter

---

### **Driving the car:**

- Provided the engine has reached its normal operating temperature, if a misfire is suspected or the car lacks power while driving, it may be driven SLOWLY (at risk of catalyst damage) to a Rover dealer for assistance.
- NEVER allow the car to run out of fuel (the resultant misfire could destroy the catalyst).
- An engine burning excessive oil (blue smoke from the exhaust), will progressively reduce catalyst efficiency.
- On rough terrain, DO NOT allow the underside of the car to be subjected to heavy impacts which could damage the catalytic converter.
- Do not overload or excessively 'rev' the engine.

### **Switching off:**

- DO NOT switch off the engine whilst the car is in motion, with a forward or reverse drive gear selected.

### **Vehicle maintenance:**

- Any engine misfire, loss of engine performance or engine run-on, could seriously damage the catalytic converter. For this reason, it is vital that unqualified persons do not tamper with the engine and that regular maintenance is carried out by a Rover dealer, in accordance with the service interval plan included in the Service Portfolio book.
- DO NOT run the engine with a spark plug or lead removed, or use any device that requires an insert into a spark plug.

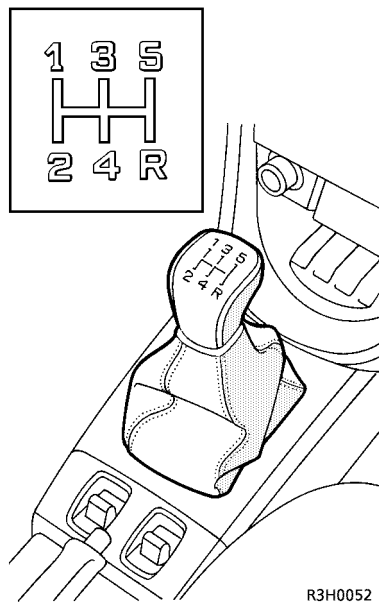
### **WARNING!**

*Exhaust temperatures can be extremely high; DO NOT park on ground where combustible materials, such as dry grass or leaves, could come in contact with the exhaust system - in dry weather a fire could result.*



# Manual Gearbox

---



## MANUAL GEARBOX

The gear positions are indicated on the gear lever knob.

Synchromesh engagement is provided on all forward gears and, in the neutral position, the gear lever is spring loaded to rest naturally between 3rd and 4th gears.

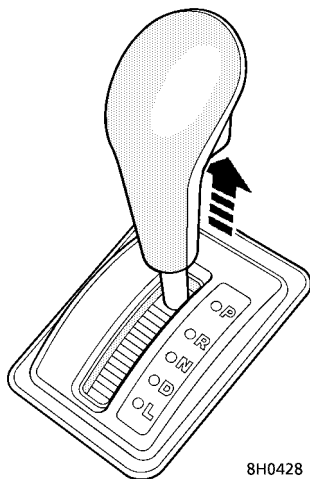
### Selecting reverse gear

Before selecting reverse gear, ENSURE THE CAR IS STATIONARY; then, fully depress the clutch pedal and pause briefly before moving the gear lever into position.

### Precautions while driving

- DO NOT rest your hand on the gear lever while driving; pressure transmitted from your hand, may cause premature wear to the gear selector mechanism.
- DO NOT rest your foot on the clutch pedal while driving; excessive wear to the clutch will result!

## Automatic Gearbox



### CONTINUOUSLY VARIABLE TRANSMISSION

Your car is fitted with continuously variable transmission (CVT). This advanced design, ensures a continuous and smooth progression from the lowest to the highest ratio (and vice versa), without the apparent gear changes associated with a conventional automatic gearbox.

#### GEAR SELECTOR

##### Selector release button

The automatic gearbox is fitted with a locking mechanism, designed to minimise the possibility of accidental selection of the 'P' (Park) and 'R' (Reverse) positions.

The selector release button (arrowed in illustration) must be pressed, in order to select 'P' or 'R' and also to enable the lever to be moved from the 'P' position.

##### Selector lever positions

###### 'P' - Park:

This position mechanically locks the transmission and should be selected before starting the engine and before switching the engine off. To avoid transmission damage, ensure the car is completely stationary, with the handbrake applied, before selecting 'P'.

The selector release button **MUST** be pressed, in order to move the selector lever into, or out of, the Park position.

###### 'R' - Reverse:

Before selecting reverse, **ENSURE** the car is stationary, with the brakes applied.

Press the selector release button in order to move the selector lever into Reverse.

###### 'N' - Neutral:

Select neutral when the car is stationary and the engine is required to idle for a brief period (at traffic lights for example).

###### 'D' - Drive:

Select this position for all your normal driving; the transmission will adjust to the appropriate ratio, according to vehicle speed and accelerator position.

###### 'L' - Low:

Low ratio can be selected at any speed in order to provide additional engine braking when the accelerator pedal is released.

## Automatic Gearbox

---

### **WARNING!**

*DO NOT select 'P' or 'R' unless the car is stationary.*

*To prevent transmission wear keep engine speed as low as possible while moving the selector between 'D' and 'R'.*

*DO NOT select 'D' or 'L' when the car is moving backwards.*

*DO NOT press the selector release button, while selecting 'N' from a forward or reverse drive position.*

### **USING THE AUTOMATIC GEARBOX**

The following information is particularly important for drivers who are not familiar with the techniques required to drive cars with automatic transmission.

#### **Starting**

The engine can only be started with the selector lever in the 'P' or 'N' positions.

- ALWAYS apply the handbrake and foot brake before starting the engine.
- KEEP BOTH BRAKES APPLIED while moving the selector to a drive gear position.
- DO NOT 'rev' the engine or allow it to run above normal idle speed while selecting a forward or reverse gear, or while the car is stationary with a drive gear already selected.
- ALWAYS keep the brakes applied until you are ready to move off - remember, once a drive gear has been selected, an 'automatic' will tend to creep forward (or backward).
- DO NOT allow the car to remain stationary for any length of time, with a drive gear selected and the engine running (always select 'N' (Neutral), if the engine is to idle for a prolonged period).

#### **Driving**

When driving, the transmission will automatically adjust to the most appropriate ratio, according to accelerator position, vehicle speed and terrain (whether the car is travelling uphill, downhill or on the flat).

When accelerating, the engine speed will increase above the equivalent road speed, as the transmission adjusts to the most appropriate ratio. When the accelerator pedal is released, engine speed will drop independently of road speed.

### **WARNING!**

*When driving in reverse gear, engine speed must be kept to a minimum.*

#### **Parking**

After bringing the car to a stop, ALWAYS apply the handbrake and select 'P', before releasing the foot brake and switching off the engine.

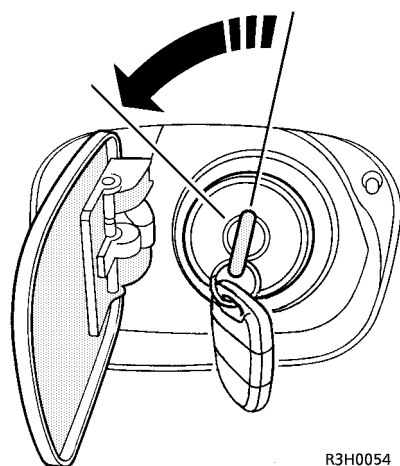
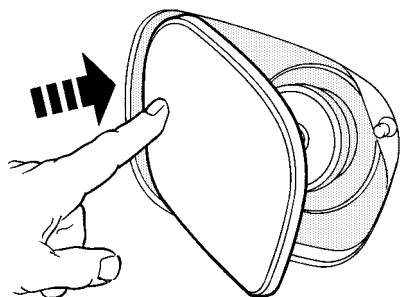
#### **Freeing the car from snow or mud**

With engine idling, select 'D' or 'R' and increase engine speed very slightly making sure the front wheels do not spin. If the wheels do spin, use minimum engine speed to regain grip. If unsuccessful engage 'D' or 'R' alternately and use minimum engine speed until grip is regained.

### **WARNING!**

*Cars fitted with automatic transmission can NOT be 'push' or 'tow' started.*

## Fuel System



### FUEL FILLER

The fuel filler is located in the rear left-hand wing. Push on the left hand side of the flap to open. Insert the key in the lock, turn it anti-clockwise and allow any pressure inside the tank to escape, before removing the cap.

Remember to lock the cap and close the filler flap after refuelling.

### TYPE OF FUEL

#### Petrol engines:

The RON value (octane rating) of petroleum commonly available at garage forecourts, will vary in different countries. The RON value quoted below, is a MINIMUM requirement and can be safely exceeded.

#### USE ONLY UNLEADED PETROL

#### 95 RON minimum to EN 228 specification

IN AN EMERGENCY (and only if the correct fuel is unavailable), lower octane rated fuel can be used for very limited periods of moderate, or low speed motoring, provided engine 'knocking' does not occur.

#### WARNING!

*USE ONLY UNLEADED PETROL*

*Serious damage to the catalytic converter will occur, if incorrect fuel is used.*

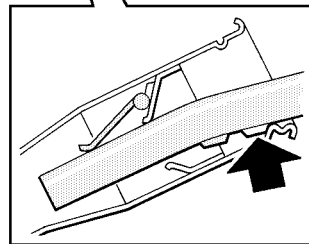
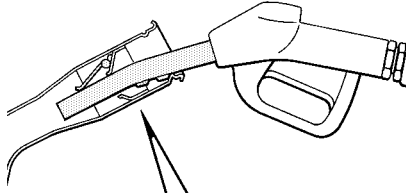
#### Diesel engines:

The quality of diesel fuel can vary in different countries and only clean, good quality fuel should be used. It is important that the sulphur content of diesel fuel does not exceed 0.3%. In Europe, all supplies should be within this limit, but in other parts of the world, you should check with your supplier.

Ensure that the fuel filter element is changed at the recommended service intervals.

#### USE ONLY DIESEL FUEL to EN 590 specification

## Fuel System



R3H0055

### WARNING!

*DO NOT fully fill the tank if the car is to be parked on a slope in direct sunlight, or high ambient temperature - expansion of the fuel could cause spillage.*

### Filling difficulties

The fuel delivery rate of filling station pumps, can vary significantly from one garage forecourt to another. This, coupled with the fact that modern pumps are equipped with a sensor which automatically cuts off the supply as soon as turbulence is detected in the upper part of the car's filler neck, could result in isolated fuel filling problems.

If individual owners experience difficulty, the following advice may be useful:

- Fully insert the filler gun, then withdraw the gun up to the first ridge on the underside of the nozzle (see illustration).
- Hold the filler gun with the trigger directly below the nozzle (at right angles to the ground). Twisting the gun to either side, is unlikely to ease the filling process.
- Fill the tank slowly - DO NOT fully squeeze the trigger.

### FUEL FILLING

Always fill the tank SLOWLY, until the filler nozzle automatically cuts-off the fuel supply. DO NOT attempt to fill the tank beyond this point, or spillage could result due to expansion of the fuel.

#### Petrol cars:

The filler tube is designed to accept a narrow filler nozzle, of the type found on pumps that deliver ONLY unleaded fuel. A flap lies across the filler neck; insert the filler nozzle sufficiently to fully open the flap before filling (see illustration).

#### Diesel cars:

The fuel filling system used for commercial pumps, is designed to fill at a maximum of 45 litres (10 gallons) per minute. Use of pumps with a higher fill rate, will result in premature pump cut-off and fuel spillage.

## Fuel System

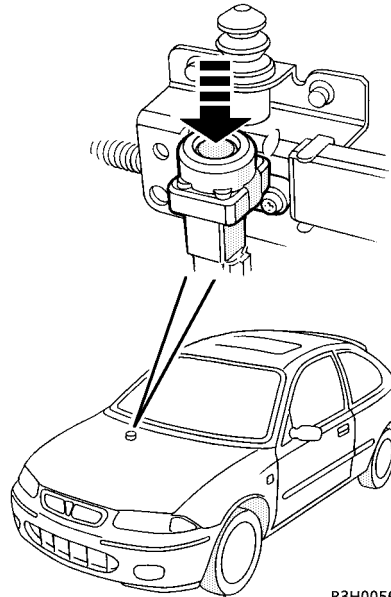
### Empty fuel tank

NEVER allow the car to run out of fuel - the resultant misfire may destroy the catalytic converter. In the event of the fuel tank running dry, contact your Rover dealer before attempting to start the engine.

### SAFETY ON THE FORECOURT

Petroleum gases are highly inflammable and, in confined spaces, are also extremely explosive. Always take sensible precautions when refuelling:

- Switch off the engine.
- Do not smoke or use a naked flame or light.
- Do not overfill the tank.



R3H0056

### FUEL CUT-OFF SWITCH

(Petrol engine models only)

The fuel cut-off switch is a safety device which, in the event of a collision or sudden impact, automatically cuts off the fuel supply.

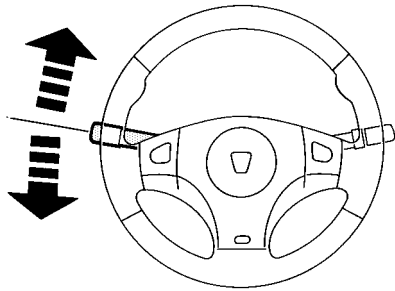
The switch is located on the right hand side of the engine compartment, mounted on the bulkhead. After the switch has been activated, it must be reset by pressing the rubber top (arrowed in illustration) before the engine can be restarted.

### WARNING!

*ALWAYS check for fuel leaks before resetting the fuel cut-off switch!*

**NOTE:** On diesel models, the fuel cut-off system resets automatically and therefore, does not need to be reset by the driver.

## Lights & Indicators

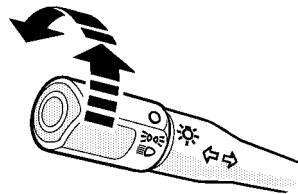


### DIRECTION INDICATORS

Move the lever down to indicate a LEFT turn, or up to indicate a RIGHT turn. The indicators will cancel automatically, once a turn has been completed.

Hold the lever half-way up or down against spring pressure, to indicate a lane change.

The appropriate GREEN warning light on the instrument panel, will flash in time with the direction indicators.

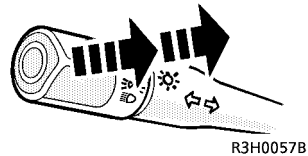


### SIDE AND HEADLIGHTS

Turn the control to the first position to illuminate the side, tail and instrument panel lights.

#### Headlights

Turn the control to the second position to illuminate the headlights.



#### Headlight main and dipped beams

Pull the lever fully towards the steering wheel to change headlight beams (the BLUE warning light on the instrument panel illuminates when the headlights are on main beam).

To briefly flash the main beams on and off, pull the lever part way towards the steering wheel and then release.

## Lights & Indicators

### Headlight beam height control

The angle of the dipped headlight beams is affected by the distribution of passenger and luggage weight within the car. It is important that the headlights are adjusted to ensure that the point at which they meet the road surface provides adequate illumination ahead of the car without dazzling other road users.

Using the following load conditions as a guide, adjust the height of the headlight beams by moving the control (arrowed in inset).

#### **Position 0:**

Driver, or driver and front seat passenger only (no luggage).

#### **Position 1:**

Driver and four passengers (no luggage).

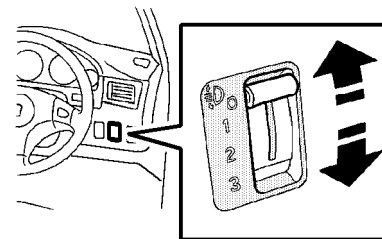
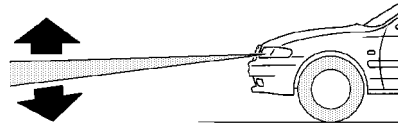
#### **Position 2:**

Driver, four passengers and FULL luggage compartment.

#### **Position 3:**

Driver, NO passengers and FULL luggage compartment.

**NOTE:** These loading definitions assume that all loads will be within the limits of the maximum permissible axle and vehicle weights.



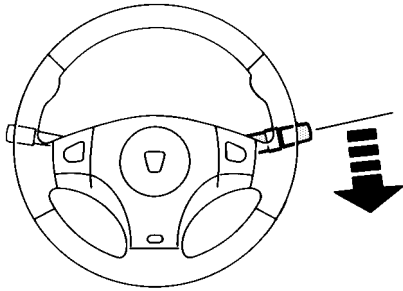
R3H0147

### 'Lights on' warning buzzer

If the exterior lights are left on after the starter switch is turned off, a warning buzzer will sound as soon as the driver's door is opened. The buzzer will cease as soon as the lights are switched off, or the door is closed.



## Wipers & Washers

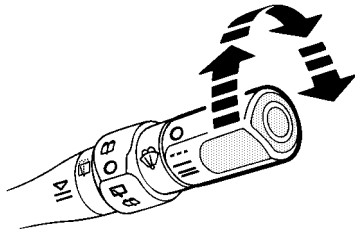


### WIPER CONTROLS

The wipers and washers will only operate when the starter switch is turned to position 'II'.

- **Single wipe**  
Pull the lever down and release immediately.

**NOTE:** With the lever held down, the wipers will operate at high speed until it is released.

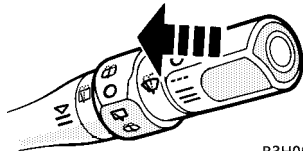


- **Intermittent wipe**  
Turn switch to first position.

- **Normal speed wipe**  
Turn switch to second position.

- **Fast speed wipe**  
Turn switch to third position.

**NOTE:** If reverse gear is selected while the front wipers are operating (at any speed setting), the rear screen wiper will operate automatically for three wipes.



R3H0058B

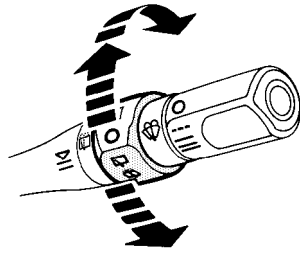
- **Windscreen washer**  
Pull the lever towards the steering wheel. The windscreen washers will operate for as long as the lever is held in this position.

**NOTE:** The wipers operate automatically during windscreen washing.

On cars fitted with heated windscreen washer jets, the heater prevents the jets from being rendered inoperative by freezing, but does not prevent the water from freezing on the screen; therefore, a suitable screenwash must still be added to the washer reservoir (see 'Owner Maintenance').

## Wipers & Washers

---



R3H0059B



- **Rear window wash/wipe**

- 1) Rotate the switch clockwise to the first position to operate the rear wiper. After wiping continuously four times, the wiper continues intermittently until switched off.
- 2) Rotate the switch further clockwise, to the second position, to operate the rear screen washer AND wiper. Hold in this position for the required duration of the wash.
- 3) Rotate the switch anti-clockwise to operate the rear screen washer alone (without the wiper).

**NOTE:** *If reverse gear is selected while the front wipers are operating (at any speed setting), the rear screen wiper will operate automatically for three wipes.*

<b>IMPORTANT</b>
------------------

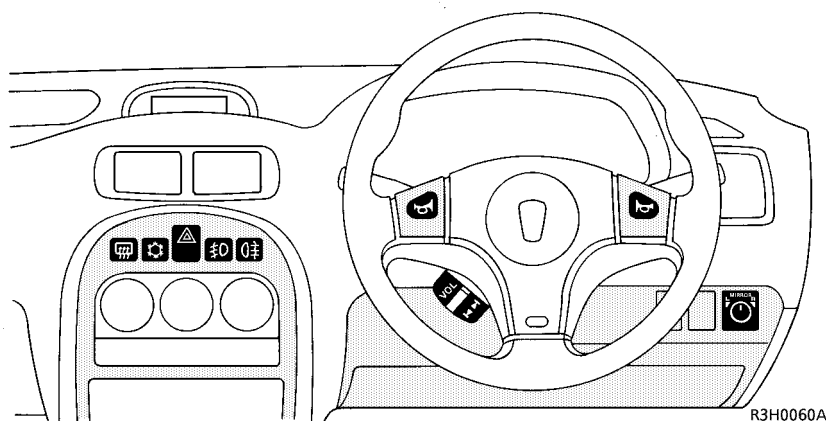
*DO NOT operate the wipers on a dry screen.*

*In freezing or very hot conditions, ensure that the blades are not frozen or stuck to the glass before being operated.*

*In winter, remove snow or ice from around the arms and blades, including the wiped area of the windscreen and the heater air intakes.*

---

## Fascia Switches



### Hazard warning lights

Press to operate. All the direction indicators will flash together. Use **ONLY** in an emergency, to warn other road users when your vehicle is causing an obstruction, or is in a hazardous situation. Remember to switch off before driving away.



### Rear screen demister

Press to operate; the indicator light in the switch illuminates whenever the demister is on, and extinguishes when the demister is turned off.

**NOTE:** *The rear screen demister will operate only when the engine is running and will switch off automatically after approximately 15 minutes.*

### WARNING!

*The heating elements on the inside of the rear screen are easily damaged. DO NOT scrape or scratch the glass.*

*DO NOT stick labels over the rear screen demister heating elements and take note of advice given in 'Cleaning & Car Care'.*



### Air conditioning

The function of the air conditioning switch is described separately under 'Heating & Ventilation'.

## Fascia Switches

---



### Front fog lights - if fitted

Press to operate; the indicator light in the switch illuminates when the fog lights are on and extinguishes when they are switched off. The fog lights will only operate with the starter switch in position 'II' and with the side or headlights turned on.

The front fog lights extinguish automatically when the sidelights or starter switch are turned off but will illuminate again as soon as the starter switch and sidelights are next switched on, unless deselected manually.

**NOTE:** *If the sidelights are left on when the starter switch is turned off, the indicator light in the front fog light switch remains on to remind drivers to manually deselect the fog lights if they are not needed.*



### Rear fog guard lights

Press to operate; the warning light on the instrument panel illuminates when the rear fog guard lights are on and extinguishes when they are switched off. The rear fog guard lights operate ONLY when the starter switch is at position 'II' and when the headlights are switched on.

**NOTE:** *The rear fog guard lights extinguish automatically when the ignition or the headlights are switched off and will need to be reselected manually.*

### WARNING!

*The front or rear fog lights can ONLY legally be used, when visibility is severely restricted - other road users could be dazzled in clear conditions!*



### Horn

To operate, press either of the switches set into the steering wheel centre pad.

# Brakes

---

## **BRAKING SYSTEM**

The hydraulic braking system operates through dual circuits; if one circuit should fail, the other will continue to function. However, in the event of a brake failure where only one circuit is operational, the car should **ONLY** be driven at slow speed to the nearest Rover dealer. In these circumstances, exercise **EXTREME CAUTION** and be aware that much greater pedal effort and longer stopping distances will be required.

The braking system is servo assisted. This means that if the engine stops running, all servo assistance will be lost, requiring greater pedal effort and resulting in longer stopping distances.

### **Brake pads**

Brake pads and linings require a period of bedding in. For the first 200 miles (300 km), avoid situations where heavy braking is required.

Remember that regular servicing is vital, to ensure that the brake components are examined for wear at the correct intervals and changed whenever necessary to ensure optimum safety and performance.

### **Brake warning light**

If the warning light on the instrument panel illuminates while driving, and the handbrake is fully released, a fault with the braking system is indicated. This is most likely to be caused by low fluid level, or worn brake pads and linings; stop the car and seek qualified assistance before continuing.

## **Brake wear indicators**

All disc brakes are fitted with audible brake wear indicators. When the brake pads need replacing, a distinctive metallic 'screeching' sound will be heard (this is not to be confused with the sound of brakes squeaking, which sometimes occurs during light braking and is usually caused by dust on the braking surfaces).

### **WARNING!**

*DO NOT rest your foot on the brake pedal while driving; this may overheat the brakes, reducing their efficiency and causing excessive wear.*

*If the brake warning light illuminates while driving, stop the car as soon as safety permits and seek qualified assistance before continuing.*

*NEVER move the car without the engine running, servo assistance may not be available. The brakes will still function, but greater pedal pressure will be required.*



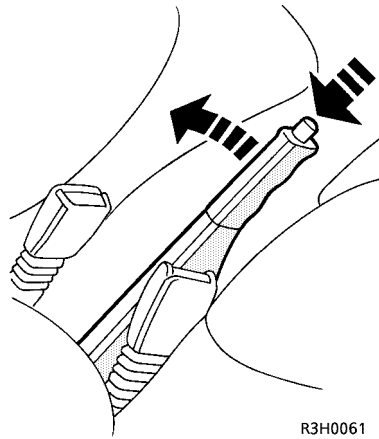
## Brakes

---

### HANDBRAKE

The handbrake operates on the rear wheels only and should not require adjustment. To apply the handbrake, pull the lever up. Always apply the handbrake FULLY whenever you park the car.

To release, pull the lever up slightly, depress the button (arrowed in illustration) and fully lower the lever (the warning light on the instrument panel will extinguish when the handbrake is fully released).



R3H0061

### WARNING!

*DO NOT drive with the handbrake applied; this could damage the rear brakes and axles, and will also prevent the anti-lock braking system (where fitted) from functioning correctly.*

# Brakes

---

## **ANTI-LOCK BRAKING SYSTEM**

(if fitted)

The anti-lock braking system prevents the wheels from locking, thereby helping to maintain steering control. No special driving techniques or effort is required from the driver.

Under normal braking (where sufficient road surface friction exists to reliably bring the car to a halt, without the wheels locking), the anti-lock braking system will not be activated. However, if the force of your braking should exceed the available adhesion between the tyres and the road, causing one or more wheels to lock, then the anti-lock braking system will automatically come into operation. This will be recognised by a rapid pulsation felt through the brake pedal.

## **Anti-lock braking in action**

In an emergency situation, full braking effort should ALWAYS be applied, even when the road surface is slippery. The anti-lock braking system constantly monitors the speed of each wheel and varies braking pressure to each, according to the amount of traction available, thereby ensuring that the wheels do not lock.

Always remember, no matter how hard you brake, **STEERING CONTROL WILL ALWAYS BE MAINTAINED!**

On soft surfaces such as powdery snow, sand or gravel, braking distances may be greater than those achievable on a car without anti-lock braking. This is because the action of locked wheels on soft surfaces, is to build up a wedge of material in front of the wheels, which assists in bringing the car to a halt. However, even in these circumstances, the anti-lock braking system will provide better stability and steering control.



## Brakes

---

### Warning light

The anti-lock braking system incorporates a monitoring system, which checks that all the electrical components are in working order, as soon as the engine is started and also at frequent intervals during your journey.

The warning light on the instrument panel is an important part of this system. The warning light should illuminate when the starter switch is turned on and extinguish after approximately six seconds. If the light fails to extinguish, or illuminates again whilst driving, there is a fault in the system. On completion of your journey, seek advice from your dealer before further vehicle use.

In addition, when starting the engine, a single 'knock' may be heard coming from the engine compartment. Very slight movement may also be felt at the brake pedal. Both are normal symptoms of the anti-lock braking system self checking process.

**NOTE:** *Even if the anti-lock braking system is faulty, normal braking performance will still be available.*

### WARNING!

*The anti-lock braking system cannot overcome the physical limitations of stopping the car in too short a distance, cornering at high speed, or aquaplaning, i.e. where a layer of water prevents adequate contact between the tyres and the road surface.*

*The fact that the car is equipped with anti-lock braking, must never tempt the driver into taking risks that could affect his/her safety, or that of other road users. Drivers still have a duty to drive within normal safety margins, having due consideration for the prevailing road surface, weather and traffic conditions.*



# Maintenance

---

The safe, reliable, and economical performance of your car, will depend largely on how well it is maintained.

Maintenance is the owner's responsibility, and you should ensure that all routine services and warranty inspections are carried out by a Rover dealer at the recommended intervals. These are shown in the Service Portfolio book included in the literature pack. This book also provides a complete record of the services and inspections carried out on your car - ensure your Rover dealer has correctly endorsed the appropriate page at the conclusion of each service.

## OWNER MAINTENANCE

In addition to the routine services and inspections described in the Service Portfolio book, the following simple checks must be carried out more frequently. You can do these yourself and advice is given on the pages that follow.

### Daily checks:

- Operation of lights, horn, direction indicators, wipers, washers and warning lights.
- Operation of seat belts and brakes.
- Look for fluid deposits on the floor beneath the car, which may indicate a fluid leak.

### Weekly checks:

- Engine oil level.
- Cooling system level.
- Operate air conditioning (see '*Heating & ventilation*').
- Condition and pressure of tyres.
- Brake and power steering fluid levels.
- Screen washer reservoir level.

**NOTE:** *Any significant or sudden drop in fluid levels, or uneven tyre wear, should be reported to your dealer without delay.*

### Emission control

Your car is fitted with emission and evaporative control equipment, designed to meet specific territorial and legal requirements. You should be aware that unauthorised replacement, modification or tampering with this equipment by an owner or motor vehicle repairer, could be unlawful and subject to legal penalties.

In addition, engine settings must not be tampered with. These have been established to ensure that your car complies with stringent exhaust emission regulations. Incorrect engine settings may adversely affect exhaust emissions, engine performance and fuel consumption, as well as causing high temperatures, which could result in damage to the catalytic converter and the car.

# Maintenance

## SAFETY IN THE GARAGE

**If you need to carry out maintenance on your vehicle, observe the following safety precautions at all times:**

- ALWAYS keep hands, tools and items of clothing, clear of all drive belts and pulleys (see 'Warning' below).
- DO NOT touch exhaust or cooling system components until they are cool.
- DO NOT touch electrical leads or components with the starter switch turned on.
- NEVER leave the engine running in an unventilated area - exhaust gases are poisonous and extremely dangerous.
- **DO NOT work beneath the car with a vehicle lifting jack as the only means of support.**
- Ensure sparks and naked lights are kept away from the engine compartment.
- Take care to avoid contact with a hot exhaust system, especially when carrying out work at the rear of the car.
- Remove all metal wrist bands and jewellery, before working in the engine compartment and NEVER allow the battery terminals, or leads, to make contact with tools or other metal parts of the car.

### Poisonous liquids

Most liquids used in motor vehicles are poisonous and should not be consumed, or brought into contact with open wounds (these substances include; battery acid, anti-freeze, brake and power steering fluids, petrol, diesel, oil and windscreen washer additives).

Obey all instructions printed on labels and containers!

### Used engine oil

Prolonged contact with engine oil may cause serious skin disorders, including dermatitis and cancer of the skin. Wash thoroughly after contact.

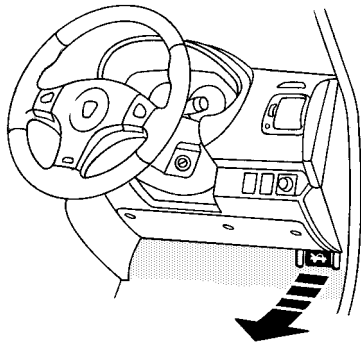
### PROTECT THE ENVIRONMENT!

It is illegal to pollute drains, water courses or soil. Use authorised waste disposal sites and garages, which provide facilities for the receipt of discarded batteries, used oil and toxic chemicals. If in doubt contact your Local Authority for advice.

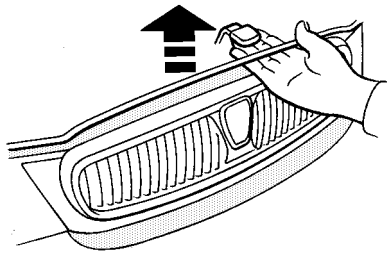
### WARNING!

*Cooling fans may commence operating up to 4 minutes after the engine is switched off, and continue operating for up to 8 minutes. Keep clear of all fans while working in the engine compartment.*

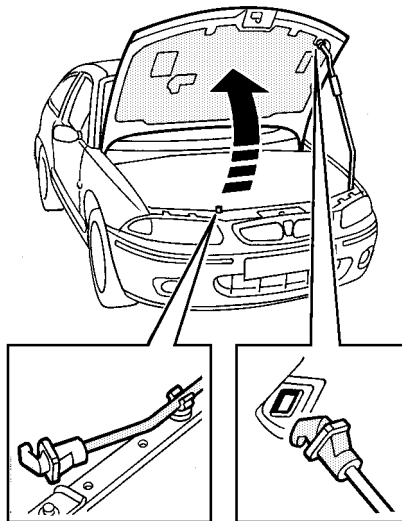
## Bonnet Opening



Pull the bonnet release handle.



Lift the bonnet safety catch lever.



Raise the bonnet and then fit the support stay into the cut-out in the underside of the bonnet (see inset).

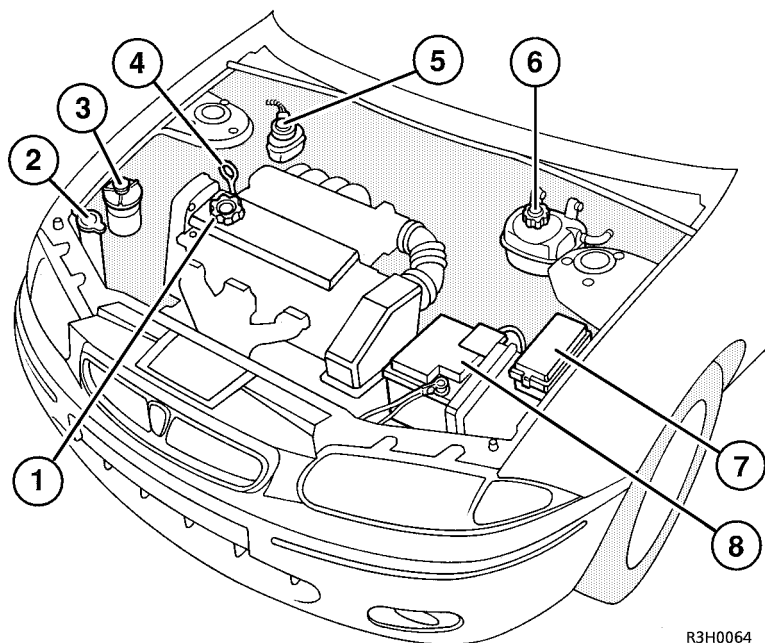
### Closing the bonnet

Replace the support stay in its retaining clip, then lower the bonnet, allowing it to drop for the last 6 inches (15 centimetres) approx.

Check that the lock is FULLY engaged, by attempting to lift the front edge of the bonnet. This should be free from all movement.

R3H0062

## Engine Compartment



R3H0064

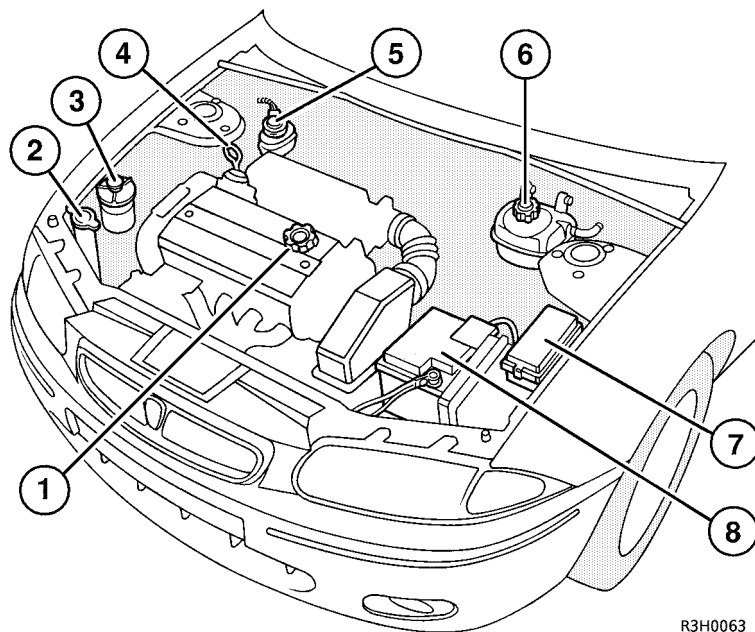
### 1.1 & 1.4 8v petrol engines

1. Engine oil filler cap
2. Washer reservoir (blue cap)
3. Power steering reservoir
4. Engine oil dipstick
5. Brake fluid reservoir (grey cap)
6. Cooling system reservoir
7. Fusebox - engine compartment
8. Battery

#### **WARNING!**

*Before carrying out maintenance checks or working in the engine compartment, ALWAYS observe the safety precautions listed under 'Safety in the garage', at the beginning of the Maintenance section of this handbook.*

## Engine Compartment



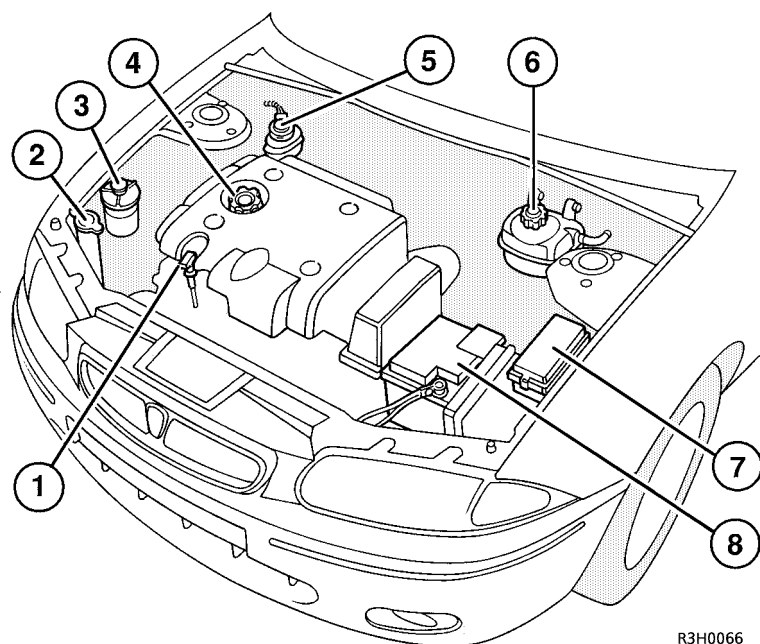
### All petrol engines except 1.1 & 1.4 8v

1. Engine oil filler cap
2. Washer reservoir (blue cap)
3. Power steering reservoir
4. Engine oil dipstick
5. Brake fluid reservoir (grey cap)
6. Cooling system reservoir
7. Fusebox - engine compartment
8. Battery

#### **WARNING!**

*Before carrying out maintenance checks or working in the engine compartment, ALWAYS observe the safety precautions listed under 'Safety in the garage', at the beginning of the Maintenance section of this handbook.*

## Engine Compartment



R3H0066

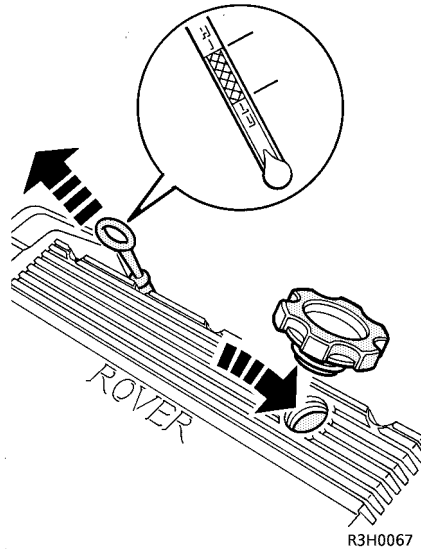
### All diesel engines

1. Engine oil dipstick (yellow top)
2. Washer reservoir (blue cap)
3. Power steering reservoir
4. Engine oil filler cap
5. Brake fluid reservoir (grey cap)
6. Cooling system reservoir
7. Fusebox - engine compartment
8. Battery

#### **WARNING!**

*Before carrying out maintenance checks or working in the engine compartment, ALWAYS observe the safety precautions listed under 'Safety in the garage', at the beginning of the Maintenance section of this handbook.*

# Engine



All petrol engines except 1.1 & 1.4 8v

## OIL LEVEL CHECK & TOP-UP

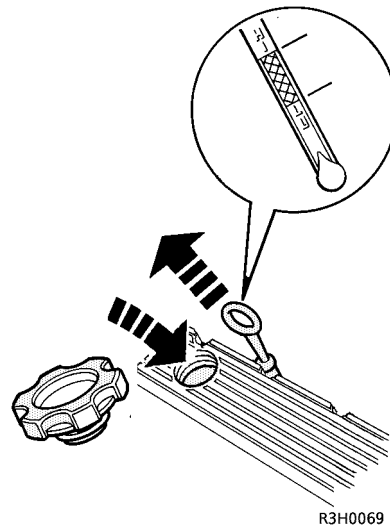
Check the oil level weekly, or whenever you fill up with fuel. Ideally, the oil level should be checked with the engine cold and the car resting on level ground. However, if the car is in use and the engine is already warm, then wait for at least two minutes after switching off before checking the level.

Withdraw the dipstick and wipe the blade clean, then re-insert the dipstick and withdraw again to check the level.

If the oil level is near to the lower mark on the dipstick, unscrew the filler cap on top of the valve cover and add oil to maintain the level between the upper and lower marks on the dipstick.

### DO NOT fill above the upper mark!

After adding oil, wait for a few minutes and then recheck the level. Finally, ensure the filler cap is replaced and fully tightened.



1.1 & 1.4 8v petrol engines

## Oil specification

### For petrol engines:

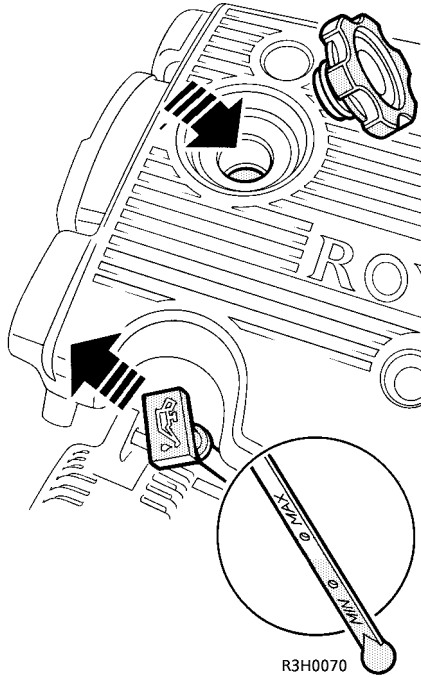
Use any brand of 10W/40 engine oil meeting the minimum specification: *RES.22.OL.G4* or *ACEA A2:96*.

Oils manufactured to these specifications, are suitable for use in the temperature range  $-20^{\circ}\text{C}$  to  $+30^{\circ}\text{C}$ . For continual operation in climates where temperatures usually exceed or fall below these limits, seek advice from your dealer.

### WARNING!

*Driving the car with the engine oil level below the lower mark on the dipstick will damage the engine.*

# Engine



All diesel engines

## Oil specification

### For diesel engines:

Use any brand of 10W/40 or 15W/40 engine oil, meeting the minimum specification: *RES.22.OL.PD2* or *ACEA B2:96*.

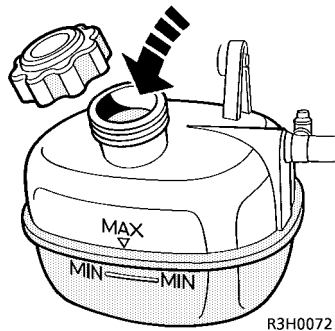
Oils within these specifications are suitable for use in the temperature range  $-20^{\circ}\text{C}$  to  $+30^{\circ}\text{C}$ . For continual operation in climates where temperatures usually exceed or fall below these limits, seek advice from your dealer.

### WARNING!

*Driving the car with the engine oil level either; below the lower mark on the dipstick, or above the upper mark, will damage the engine.*



## Cooling System



### COOLANT CHECK & TOP-UP

The coolant level should be checked weekly, when the system is cold, and topped up with a mixture of 50% anti-freeze and 50% water.

Top up to the 'MAX' mark shown on the exterior of the reservoir. If the level falls appreciably during a short period, suspect leakage or overheating and arrange for your dealer to examine the vehicle.

### Anti-freeze

The anti-freeze content of the coolant must be maintained at a minimum of 50%. To ensure that the anti-corrosion properties of the coolant are retained, the anti-freeze content should be checked by your dealer once a year.

For maximum corrosion prevention, use *Unipart Superplus 3 Anti-Freeze and Summer Coolant*. If this is unavailable, use an ethylene glycol based anti-freeze which meets specification BS 6580 and BS 5117.

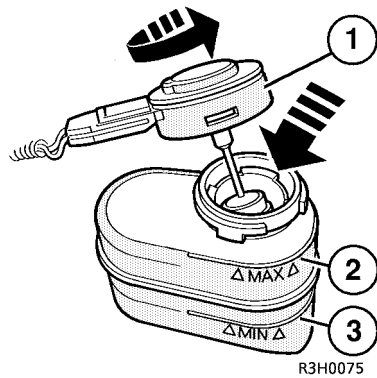
### WARNING!

- *Anti-freeze is poisonous and can be fatal if swallowed. If accidental consumption of anti-freeze is suspected, seek appropriate medical attention immediately.*
- *Take precautions to prevent anti-freeze coming in contact with the skin or eyes. If this should happen, rinse immediately with plenty of water.*
- *DO NOT remove the reservoir cap when the cooling system is hot - escaping steam or water could cause serious injury.*

### WARNING!

- *DO NOT use anti-freeze to any specification other than that indicated above.*
- *DO NOT add rust inhibitors or other additives to the coolant - these may not be compatible with the coolant or engine components.*

## Brakes



### 1. Reservoir filler cap

Turn a quarter turn anti-clockwise and lift to remove.

2. 'MAX' - maximum level

3. 'MIN' - minimum level

### BRAKE FLUID CHECK & TOP-UP

Fluid level in the brake reservoir may fall slightly during normal use, but should not drop below the 'MIN' mark. If there is any appreciable drop in level over a short period, consult your dealer.

#### Topping-up

Wipe the filler cap clean before removing, to prevent dirt from entering the reservoir, then top-up the reservoir to the 'MAX' mark using a recommended fluid:

*AP New Premium Super DOT 4 brake fluid.*

*Castrol Universal DOT 4 brake fluid.*

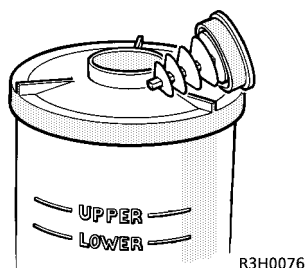
Use only new fluid from a sealed container (old fluid from uncapped containers or fluid previously bled from the system will absorb moisture, and adversely affect braking performance).

To refit the cap, press down firmly while turning clockwise - this will ensure the cap is securely locked in position.

#### WARNING!

- *DO NOT drive the car if the fluid level is below the 'MIN' mark.*
- *Brake fluid will damage painted surfaces: Soak up any spillage with an absorbent cloth immediately and wash the area with a mixture of car shampoo and water.*
- *If brake fluid should come into contact with the skin or eyes, rinse immediately with plenty of water.*
- *Brake fluid must be completely replaced every two years regardless of mileage.*

## Power Steering



### POWER STEERING FLUID LEVEL (if fitted)

Check and top-up the fluid level **ONLY** when the engine is cold. You should also ensure that the steering wheel is not turned between stopping the engine and checking the fluid level.

Wipe the filler cap clean to prevent dirt from entering the reservoir and top-up to the 'upper' level mark with *Unipart Power Steering fluid*, or an equivalent fluid meeting Dexron IID specification.

Do not overfill!

**NOTE:** *The colour of Dexron IID may differ from that of the power steering fluid used to fill the system during manufacture. This is not cause for concern.*

### WARNING!

*If the fluid level has dropped below the 'lower' level mark, it is important to top-up the reservoir before starting the engine, or damage to the steering pump could result.*

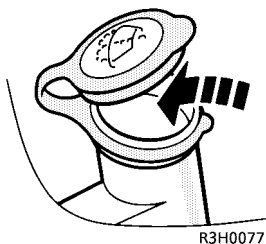
### **Emergency operation only!**

*Any large or sudden drop in the fluid level, must be investigated by a Rover dealer immediately.*

*If it can be established that fluid loss is slow, then the reservoir may be topped-up to the 'upper' level mark, to enable the car to be driven to the nearest Rover dealer for examination.*

## Wipers & Washers

---



### Washer jets

The washer jets are set during manufacture and should not require adjustment.

If a jet becomes blocked, use a thin wire or needle as a probe to clear the obstruction.

### WINDSCREEN WASHERS

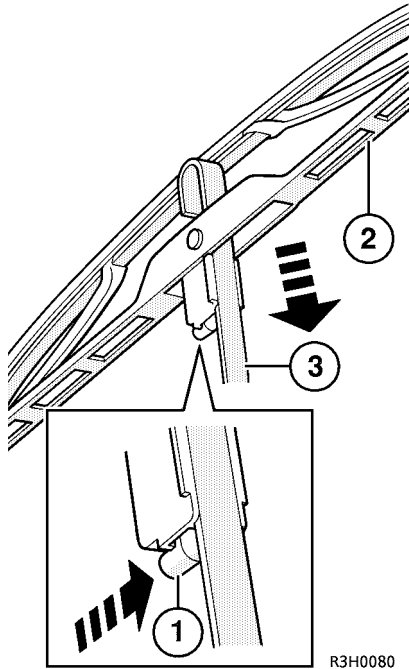
Check the reservoir level at least every week and top-up with a mixture of water and a good quality, proprietary screenwash.

**NOTE:** *Screenwash should be added, even if your car is fitted with heated washer jets*

#### WARNING!

*Do not use an anti-freeze or vinegar/water solution in the screen washer reservoir - anti-freeze will damage painted surfaces, while vinegar can damage the windscreen washer pump.*

## Wipers & Washers



### WIPER BLADES

Wash the wiper blades in warm soapy water and periodically check their condition. If signs of hardness or cracking in the rubber are found, or if the wipers leave streaks or unwiped areas on the windscreen during use, then the wiper blades should be replaced.

Clean the windscreen regularly with an approved glass cleaner and ensure the screen is thoroughly cleaned before fitting replacement wiper blades.

### Wiper blade replacement

#### WARNING!

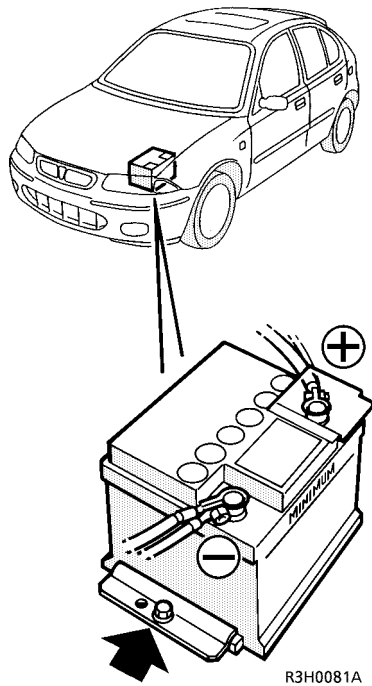
*When replacing a rear wiper blade, take care to avoid contact with a hot exhaust system.*

Lift the wiper arm away from the windscreen. With the blade at 90° to the arm as shown, disconnect the blade by pushing in the locking tab (1) and sliding the blade (2) down the arm (3).

Fitting a replacement blade is a reversal of this process; position the new blade assembly on the wiper arm and slide the blade fully towards the hooked end of the arm until it locks in place. Check that the blade is securely locked before returning the wiper assembly to the windscreen.

Only fit replacement wiper blades that are identical to the original specification.

## Battery



### WARNING!

- Batteries contain sulphuric acid. If acid should come into contact with the eyes or skin, wash **IMMEDIATELY** with cold water and seek medical advice.
- During normal use, batteries emit explosive hydrogen gas, sufficient to cause severe explosions capable of causing serious personal injury - ensure sparks and naked lights are kept well away from the engine compartment.
- For safety, remove all metal wrist bands and jewellery before working in the engine compartment, and **NEVER** allow the battery terminals or leads to make contact with tools or other metal parts of the car.

### Battery maintenance

The battery is designed to be maintenance free, so no topping-up is required.

### Battery removal

Before disconnecting the battery, turn the starter switch to position '0', switch off all electrical equipment and remove the starter key.

ALWAYS disconnect the negative ('-') terminal first. When replacing the battery, connect the positive ('+') terminal first. While disconnecting, do not allow the battery terminals to make contact with metal parts of the car.

To release the battery from the car, undo the battery clamping plate.

**NOTE:** Used batteries are potentially hazardous - disposal should be at authorised waste disposal sites **ONLY**.

## Battery

---

### **WARNING!**

- *ONLY fit a replacement battery of the same type and specification as the original. Other batteries may vary in size and have different terminal positions, capable of creating a potential fire hazard when connected to the car's electrical system.*
- *To avoid damaging the electrical system, ensure correct polarity when refitting the battery.*
- *After disconnection of the vehicle battery, the handset may need to be re-synchronised (see item 6 of 'Handset battery').*

### **Battery charging**

Before charging, ensure the battery is REMOVED FROM THE CAR - charging the battery with the cables connected, can cause serious damage to the car's electrical system.

If your battery has an electrolyte level marked on the casing, ensure the electrolyte is at or above this level before charging. If the electrolyte is below this level, refer to your dealer.

Batteries generate explosive gases, contain corrosive acid and produce levels of electric current high enough to cause serious burns. While charging, always heed the following precautions:

- Make sure the battery charger is disconnected from its power supply, before connecting its leads to the battery terminals.
- Make sure the leads are securely clamped, before switching on the charger and DO NOT move the clamps while the charger is switched on.
- Shield your eyes or avoid leaning over the battery.
- Keep the area around the top of the battery well ventilated.
- Keep naked lights clear of the battery (batteries emit inflammable hydrogen during and after charging).
- When charging is finished, switch off the charger BEFORE disconnecting the charging leads and then leave the battery for an hour before reconnection to the car.

### **Radio/cassette player:**

Following disconnection and reconnection of the battery, the word 'CODE' may appear in the digital display and the radio/cassette player may not operate.

To restore operation, re-enter the security code using the procedure described in the *'In-Car Entertainment'* book.

# Tyres

---

## **WARNING!**

*DEFECTIVE TYRES ARE DANGEROUS!  
DO NOT drive your car if any tyre is  
excessively worn or damaged, or is  
inflated to an incorrect pressure.*

*Incorrect tyres can affect the stability  
and handling characteristics of your  
car - only fit replacement tyres that are  
identical to the original specification.*

## **CARING FOR YOUR TYRES**

Always drive with consideration for the condition of the tyres, and frequently inspect the tread and side walls for any sign of distortion (bulges), cuts or wear.

The most common causes of tyre failure are:

- Bumping against kerbs
- Driving over deep pot holes
- Driving with under or over-inflated tyres.

### **Tyre pressures**

Correctly inflated tyres will ensure that you enjoy the best combination of tread life, ride comfort, fuel economy and road handling.

Check the pressures at least every week (including the spare wheel), preferably when the tyres are cold (be aware that the car can be driven up to one mile (1.6 km), before the tyres start to warm up).

Air pressure naturally increases in warm tyres; if it is necessary to check the tyres when they are warm (after the car has been driven for a while, even in cold weather), you should expect the pressures to have increased by between 4 and 6 lbf/in<sup>2</sup>. In this circumstance, DO NOT let air out of the tyres in order to match the recommended pressures.

The recommended pressures are shown in 'Technical Data' at the rear of the book.

Remember; incorrectly inflated tyres may wear rapidly or unevenly, are more easily damaged, and can seriously affect the car's road handling characteristics and fuel economy.

### **Snow chains**

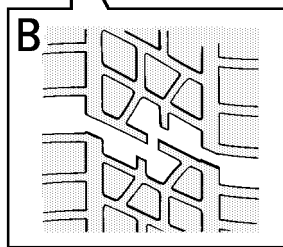
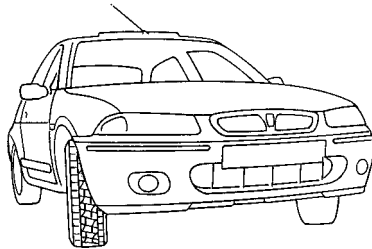
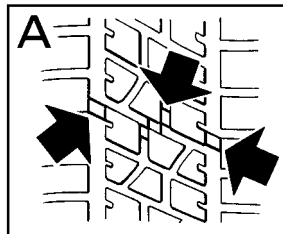
Unsuitable snow chains could damage the tyres, wheels, suspension, brakes or bodywork of your car. Only fit snow chains that are recommended by a Rover dealer and have been approved by Rover for use on your car.

In use, always observe the following precautions:

- Fit snow chains to the front wheels only.
- Always adhere to the snow chain fitting and retensioning instructions and the speed limitations for varying road conditions.
- Avoid tyre damage and excessive chain wear, by removing snow chains when driving on snow free roads.



# Tyres



R3H0082A

## Tyre wear indicators

The tyres on your car, have wear indicators moulded into the tread pattern (A), at several points around the circumference. When the tread has worn down to 1.6 mm, the indicators will come to the surface of the tread pattern, producing the effect of a continuous band of rubber across the width of the tyre (B).

The indicators provide warning that there is insufficient tread remaining to provide good traction, particularly on wet roads. For safety, a tyre **MUST** be replaced as soon as a wear indicator becomes visible.

If tyre wear is uneven (on one side of the tyre only), or becomes abnormally excessive, the wheel alignment should be checked by your dealer.

## Valve caps

Keep the valve caps screwed down firmly. They prevent dirt from entering the valve.

## Punctured tyres

Your car is fitted with tubeless tyres, which will not normally leak if penetrated by a sharp object, provided it remains in the tyre. If you are aware of this occurring, reduce speed immediately and drive with caution until the spare wheel can be fitted. Remember, punctured or damaged tyres must be permanently repaired or replaced, **AS SOON AS POSSIBLE!**

## Replacement tyres

Wheel rims and tyres are matched to suit the handling characteristics of the car. Changing the specification of a wheel or tyre, can adversely affect the car's handling and ultimately, your own safety in emergency road situations.

To be safe, **ONLY** fit replacement tyres that are identical to the original specification shown in 'Technical Data', at the back of this book.

## Cleaning & Car Care



R3H0083

### WASHING YOUR CAR

#### WARNING!

*Take care to avoid contact with a hot exhaust system when washing the rear and underside of the car.*

Road dirt, oil, and deposits from birds and trees, can permanently spoil the paint finish. Wash your car frequently, using a clean, grit free sponge and generous quantities of cold or lukewarm water, containing a car shampoo. Rinse and dry off with a chamois leather.

- In hot weather, DO NOT wash the car in direct sunlight - move the car into the shade!
- DO NOT use hot water!
- DO NOT use detergent soap products or washing up liquid.

During winter months when salt has been used on the roads, use a hose to wash the underside. Pay particular attention to wheelarches, panel seams and to removing accumulations of mud.

When using a hose, do not direct the jet into the heater air intake ducts, or through the wheel trim apertures onto the brake components, or at the door, sunroof or window seals, where water pressure could penetrate the seals.

#### WARNING!

*Some high pressure cleaning systems available on garage forecourts, are sufficiently powerful to penetrate door and window seals and damage rubbing strips and locking mechanisms. Never aim the water jet directly at components that might easily be damaged.*

#### Radio aerial

To prevent accidental damage, unscrew and remove the roof mounted aerial, before entering an automatic car wash.

#### Getting rid of tar spots

Use white spirit to remove tar spots and stubborn grease stains from paintwork. Then wash immediately with soapy water, to remove all traces of the spirit.

#### Body protection

After washing, inspect the paintwork for damage. Treat paint chips and scratches with a Rover touch-up pencil. If the damage has revealed bare metal, use a coloured primer first, then apply the base coat and finish off with a lacquer pencil, if appropriate. Carry out this treatment after washing, but before polishing or waxing.

However, take care to ensure that car polish and body cleaning compounds, are not applied to the window glass or seals.

More extensive damage to paint or bodywork must be repaired in accordance with the manufacturer's recommendations. Failure to do this will invalidate the Anti-Corrosion Warranty!

## Cleaning & Car Care

---

### Windows and mirrors

Regularly clean the windows, inside and out, using an approved glass cleaner.

*Windscreen:* Always clean the windscreen after using an automatic car wash and before fitting replacement wiper blades.

*Rear window:* Clean the inside of the rear window with a soft cloth, using a side to side motion to avoid damaging the heating elements. DO NOT scrape the glass or use an abrasive cleaning fluid.

*Mirrors:* Mirror glass is particularly susceptible to damage; DO NOT use abrasive cleaning compounds or metal scrapers.

### Wiper blades

Regularly wash the wiper blades with warm soapy water (NEVER use a spirit or petrol based solvent).

### LOOKING AFTER THE INTERIOR

*Vinyl/plastic/cloth-faced materials:* Clean with diluted upholstery cleaner.

*Leather:* Seats, steering wheel and any trim features, should be cleaned with warm water and a non-detergent soap. Dry and polish the leather with a clean, dry, lint-free cloth. DO NOT use petrol, detergents, furniture creams or polishes!

*Carpets:* Sweep regularly with a brush or vacuum cleaner and clean with diluted upholstery cleaner.

### Clock & radio

Clean with a dry cloth only. DO NOT use cleaning fluids or sprays.

### Seat belts

Extend the belts, then use warm water and a non-detergent soap to clean. On no account use bleaches, dyes or cleaning solvents - these can weaken the belt webbing. Finally, allow the belts to air-dry naturally and do not retract them, or use the car, until they are completely dry.

### Airbag SRS

To prevent airbag SRS damage, the steering wheel centre pad and the passenger side cover should ONLY be cleaned sparingly, with a damp cloth and upholstery cleaner.

DO NOT allow these areas to be flooded with the liquid and DO NOT use petrol, detergent, furniture cream or polishes.



## Emergency Starting

---

### USING BOOSTER CABLES

#### WARNING!

- *During normal use, batteries emit explosive hydrogen gas, sufficient to cause severe explosions capable of causing serious personal injury - ensure sparks and naked lights are kept well away from the engine compartment.*
- *DO NOT disconnect the discharged battery.*
- *Make sure BOTH batteries are of the same voltage (12 volts), and that the booster cables are approved for use with 12 volt car batteries.*
- *To avoid injury, always adopt the following procedure when using booster cables.*

Using booster cables (jump leads) from a donor battery, or a battery fitted to a donor vehicle, is the only approved method of starting a car with a flat battery. Push or tow starting is NOT recommended!

- 1) If a donor vehicle is to be used, the vehicles should be parked with their battery locations adjacent to one another. Ensure that the two vehicles do not touch.
- 2) Apply the handbrakes and ensure that the gear levers on both vehicles are in neutral ('P' for cars with automatic transmission).
- 3) Turn off the starter switch and ALL electrical equipment of BOTH vehicles.
- 4) Connect the RED booster cable between the positive (+) terminals of BOTH batteries.

5) Connect the BLACK booster cable from the negative (-) terminal of the donor battery, to a good earth point (eg. an engine mounting, chassis member or other unpainted surface), remote from the battery and well away from fuel and brake lines (see following illustrations).

**DO NOT connect a booster cable to the negative (-) terminal of the discharged battery!**

6) Check that the cables are clear of the moving parts of both engines, then start the engine of the donor vehicle and allow it to idle for a few minutes.

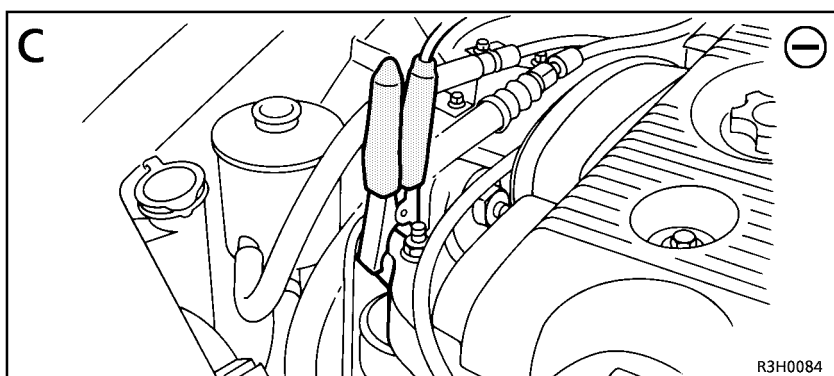
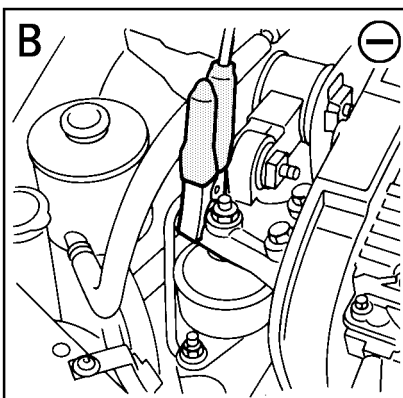
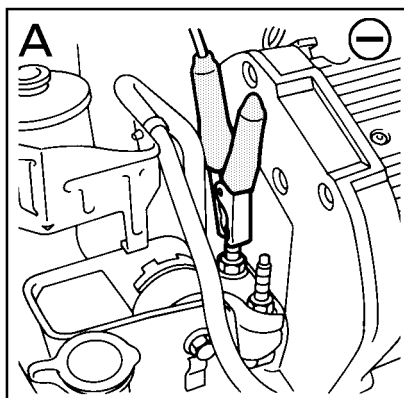
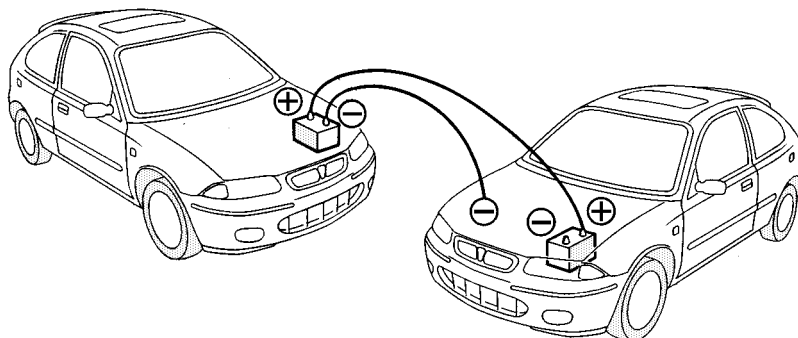
7) Now start the engine of the car with the discharged battery - DO NOT crank the engine for more than 15 seconds at a time.

8) Once both engines are running normally, allow them to idle for two minutes, before switching off the engine of the donor vehicle and disconnecting the booster cables. DO NOT switch on any electrical circuits on the previously disabled vehicle, until AFTER the booster cables have been removed.

9) Disconnecting the booster cables, must be an EXACT reversal of the procedure used to connect them, ie: disconnect the BLACK cable from the earth point on the disabled vehicle FIRST.

**The following illustrations identify the recommended earthing point for your particular car:**

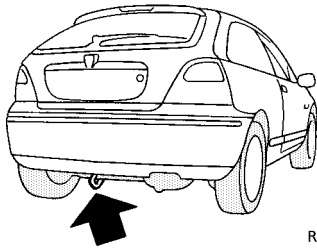
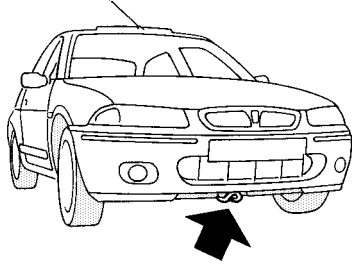
## Emergency Starting



A. 1.1, 1.4, 1.6 & 1.8 petrol models  
C. Diesel models

B. 200vi petrol models

## Emergency Towing



R3H0085

Both the front and rear lashing eyes are intended for use **ONLY** by the emergency services, or qualified vehicle recovery specialists, to assist in the recovery of your car should a breakdown or accident occur.

- DO NOT use the lashing eyes to tow your car behind another vehicle.
- DO NOT use the lashing eyes for towing another vehicle, trailer or caravan.

### Transporter or trailer lashing

If your car should require securing on the back of a trailer or transporter, use the recommended lashing eyes. DO NOT secure lashing hooks or trailer fixings to other parts of the car.

### Towing for recovery

If your car is to be towed, most qualified recovery specialists will use wheel lift equipment to suspend the front wheels, while the rear wheels remain on the ground. However, if it is necessary for the car to be towed with all four wheels on the ground, follow this procedure.

### Before being towed:

- 1) Turn the starter key to position 'I' to unlock the steering, and then to position 'II' to enable the brake lights, wipers and direction indicators to be operated if necessary.
- 2) Place the gear lever in neutral.
- 3) Release the handbrake.

### Automatic transmission

- 1) The selector lever must be at 'N'.
- 2) If an automatic gearbox is fitted, the car should only be moved on suspended tow (towed with the front wheels raised), or secured to a trailer, because the gearbox is not adequately lubricated without the engine running.

### WARNING!

- *DO NOT attempt to tow the car unless the starter switch is turned to position 'I', in order to unlock the steering (if, due to an accident or electrical fault, this is considered unsafe, disconnect the battery before turning the switch).*
- *DO NOT remove the starter key, or turn the switch to position '0', while the car is in motion.*
- *Without the engine running, the brake servo and power steering pump cannot provide assistance. Greater effort will therefore be required to operate the brake pedal and to turn the steering wheel. Longer stopping distances will also be experienced.*

## Wheel Changing

---

### WARNING!

*Always observe the following precautions!*

- *Choose a safe place to stop, away from the main thoroughfare, and ensure your passengers get out of the car and wait in a safe area, away from other traffic.*
- *Switch on the hazard warning lights to alert other road users. Apply the handbrake and engage 1st gear (select 'P' for cars with automatic transmission).*
- *Ensure the jack is positioned on firm, level ground. Do not position the jack on metal gratings or manhole covers, or use additional material between the base of the jack and the ground.*
- *If jacking on a slope, place chocks at the front and rear of the wheel diagonally opposite the one to be removed.*
- *Care must be taken to avoid accidental contact with any underbody parts, especially the hot exhaust system components, likely to cause personal injury during the raising or lowering of the car.*

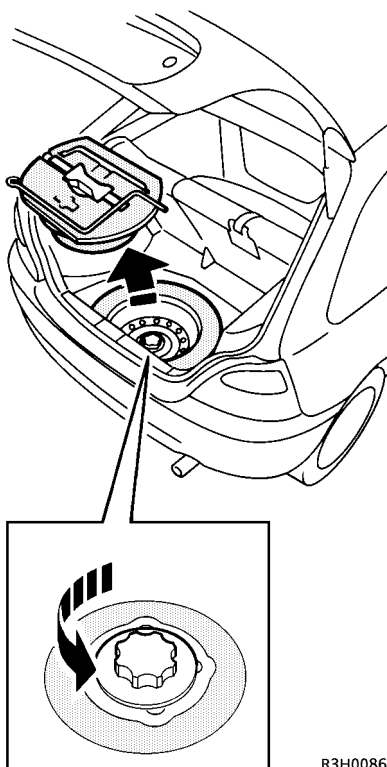
*In addition:*

*NEVER jack the car with passengers inside or with a caravan or trailer connected!*

*NEVER work beneath the car with the jack as the only means of support. The jack is designed for wheel changing only!*

## Wheel Changing

### Removing the spare wheel and tools



R3H0086

#### **WARNING!**

*Take care to avoid contact with a hot exhaust system when doing any maintenance on your car and especially when removing the spare wheel from the luggage compartment.*

- 1) Remove the luggage compartment floor covering.
- 2) Remove the tool kit, comprising: jack, jack handle, wheel nut spanner and locking wheel nut removal tools (if fitted).

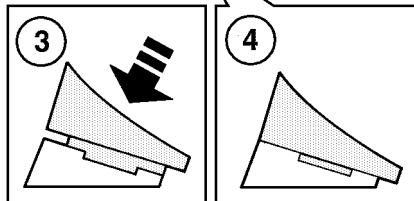
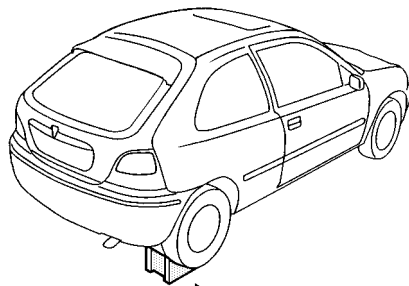
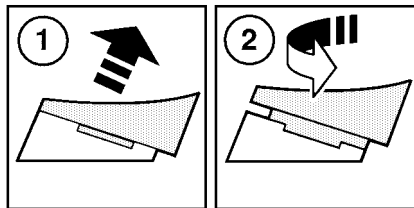
**NOTE:** *Tool kits for 1.8 and 200vi models are supplied with a wheel chock, which should be used whenever you change a wheel - see 'Using the wheel chock'.*

- 3) Unscrew the spare wheel clamp and lift the wheel from the luggage compartment.

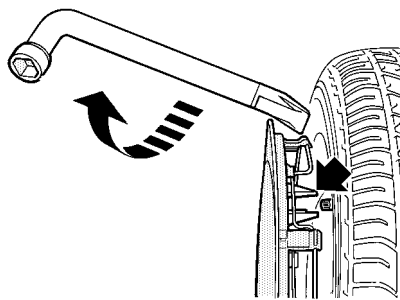
**NOTE:** *A steel spare wheel is fitted to all models (including those fitted with alloy road wheels).*



## Wheel Changing



R3H0025



### Using the wheel chock - (1.8 & 200vi models)

1.8 and 200vi cars are fitted with an uprated suspension system; before raising the car, it is **ESSENTIAL** to chock one of the road wheels with the chock supplied in the tool kit.

Before using the plastic wheel chock supplied with the tool kit, it must be assembled, as follows:

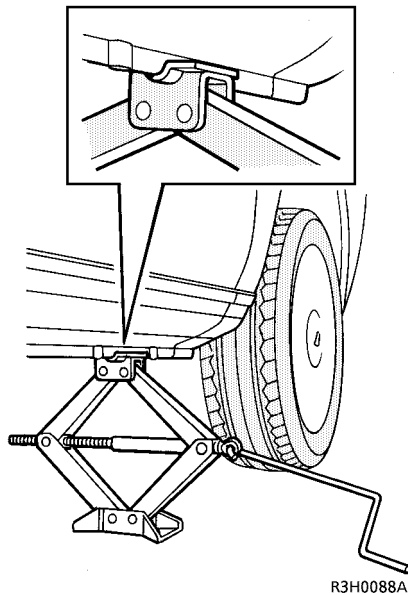
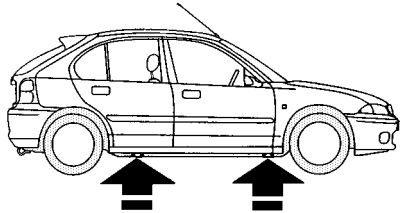
- 1) Pull the two halves of the chock slightly apart.
- 2) Rotate one half of the chock 180° .
- 3) Push the two halves back together.

Always chock the wheel diagonally opposite the one to be removed - chocking the front of a front wheel, or the back of a rear wheel, as shown.

### Removing the wheel trim

Slide the flat, wedge end of the wheel nut spanner behind the edge of the wheel trim (steel wheels only). Working carefully around the wheel, apply a twisting action to the tool, to prise the trim from the wheel.

# Wheel Changing



## Positioning the jack

Position the jack under the jacking point nearest the wheel to be removed (see illustration). Each jacking point is identified by two protrusions; the jack head must be located between them.

Turning the jack screw by hand, raise the jack until the jack head fits snugly around the centre of the jacking point.

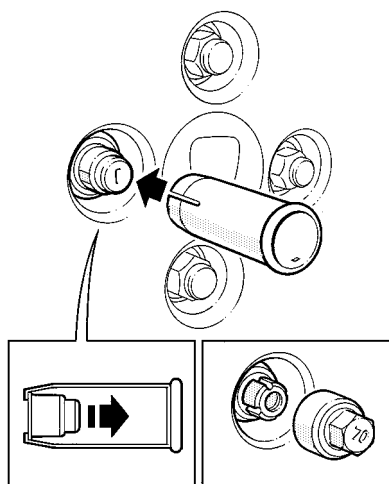
## Changing the wheel

- 1) Before raising the car, use the wheel nut spanner to slacken each of the wheel nuts half a turn anti-clockwise (refer to the following page for information about locking wheel nuts).
- 2) Attach the jack handle and turn clockwise to raise the car until the tyre is clear of the ground. Remove the wheel nuts and wheel (DO NOT scratch the surface of the wheel by placing it face down on the ground).
- 3) Fit the spare wheel and tighten the wheel nuts (domed side towards the wheel) until the wheel is firmly seated against the hub.
- 4) Lower the car and remove the jack and wheel chock, then FULLY tighten the wheel nuts in diagonal sequence.
- 5) Refit the wheel trim, ensuring that the valve stem is located between the valve stem guides (plastic lugs arrowed in wheel trim removal illustration). Use firm pressure with the flat of the hand to press the wheel trim into position.
- 6) Finally, return the tools and the wheel (face down) to the luggage compartment.

### WARNING!

*Check the tyre pressure before driving, and have the tightness of the wheel nuts checked by your dealer as soon as possible!*

## Wheel Changing



### LOCKING WHEEL NUTS

(if fitted)

Cars with alloy wheels are fitted with one locking wheel nut on each wheel. These are visually very similar to standard wheel nuts, but can only be removed using the special tools provided, as follows:

- 1) Push the plastic extractor tube firmly onto the locking wheel nut cover. By levering the tube from side to side, the stainless steel nut cover can be pulled from the nut.
- 2) Fit the metal key socket over the wheel nut, then fit the wheel nut spanner over the socket and unscrew the nut in the normal way.

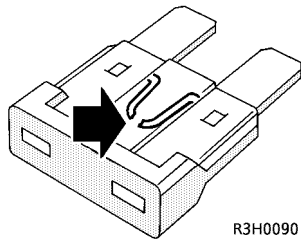
Keep the key socket and extractor with the tool kit in the space provided.

**NOTE:** *The socket can be conveniently retained inside the extractor tube when not in use.*

A code number is stamped on the face of the socket. Ensure the code number is recorded on the Security Information card supplied with your literature pack - you will need to quote this number if replacement components are required. DO NOT keep the card in the car!

## Fuses

Fuses are simple circuit breakers, which protect electrical equipment by preventing the electrical circuits from being overloaded. A 'blown' fuse is indicated when the electrical equipment it protects becomes inoperative. Check a suspect fuse by removing it from the fuse box and looking for a break in the wire inside the fuse (an example of a broken fuse is shown below).



### Fuse colours

In both fuse boxes, the fuses are colour coded to identify their amperage ratings as follows:

BROWN	7.5 amp
RED	10 amp
BLUE	15 amp
YELLOW	20 amp
CLEAR	25 amp
GREEN	30 amp

There are two fuse boxes; the main (interior) fuse box, located behind a cover beneath the steering wheel and the other in the engine compartment. The location and value of each fuse, is shown on the charts attached to the underside of the fuse box covers. They are also shown in the following illustrations.

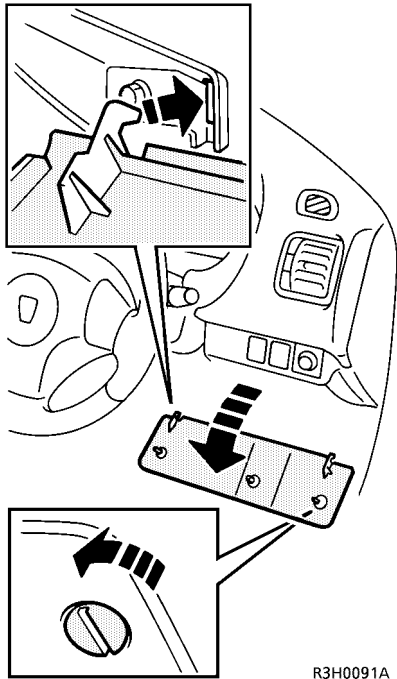
Spare fuses are provided in the interior fuse box, however these are not numbered in the following illustration.

### Renewing a fuse

Always turn off the starter switch and the appropriate electrical circuit before removing a fuse. To remove a fuse, press the removal tweezers onto the head of the fuse and pull (see illustration on following page). Always replace a fuse with another of the same (or lower) rating. If a replacement fuse blows almost immediately, this indicates a serious electrical problem and the circuit **MUST** be checked by a Rover dealer.

**NOTE:** Fuse removal tweezers are located in the main (interior) fuse box only.

# Fuses



R3H0091A

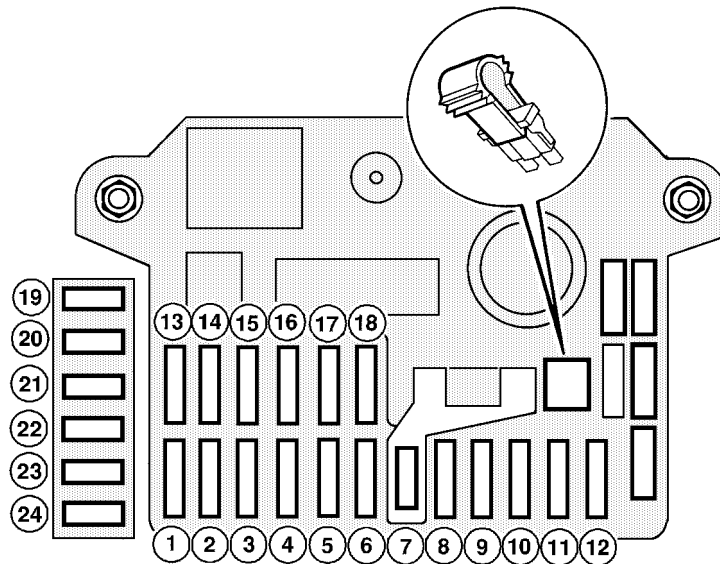
## MAIN FUSE BOX

To access the interior fuse box, remove the cover by using a small coin to twist the three turn-buckles 90° anti-clockwise (see bottom inset), then release the cover rearwards.

To replace the cover; locate and align the two hinges at the bottom of the cover with the slots in the surrounding panel (see top inset), close the cover and twist the turn-buckles 90° clockwise to secure.

## SRS FUSE

Owners are advised against removing or replacing fuse 7 (yellow plastic surround), which protects the airbag SRS. Suspected failure of the airbag SRS, should be investigated by a Rover dealer.



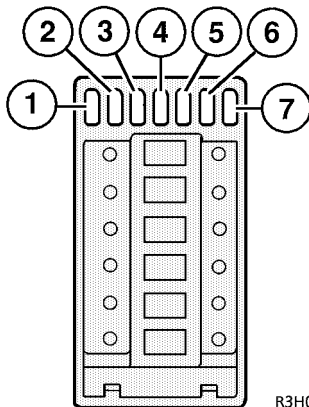
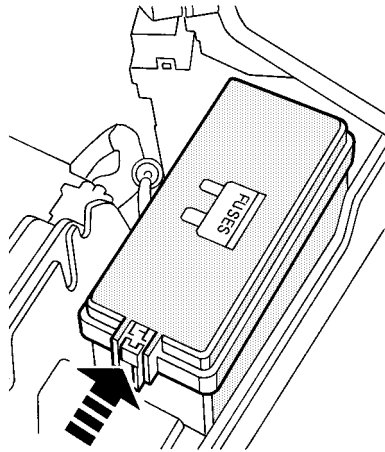
R3H0092B

## *Fuses*

### MAIN FUSE BOX (interior)

Fuse No	Rating (amps)	These units not operating
1	10	Indicators, instruments
2	10	Anti-lock brakes
3	10	Clock, radio, interior light
4	15	Headlight - right, main
5	15	Headlight - left, main
6	30	Sunroof
7	5	Airbag SRS
8	10	Tail lights - left, headlight height - left
9	10	Rear fog guard lights
10	10	Headlight - left, dipped
11	10	Headlight - right, dipped
12	15	Tail lights - right, headlight height - right
13	15	Wash/wipe - front
14	10	Engine management
15	15	Cooling fan, wash/wipe - rear
16	10	Reverse, stop lights
17	10	Radio, clock
18	10	Door mirrors, air blowers
19	10	Cooling fan, front fog lights
20	10	Engine
21	20	Window - driver
22	20	Window - passenger
23	25	Rear screen demister

## Fuses



R3H0093B

### ENGINE COMPARTMENT FUSES

The fuse box is located on the left hand side of the engine compartment. Press the catch (arrowed in illustration) to release the cover.

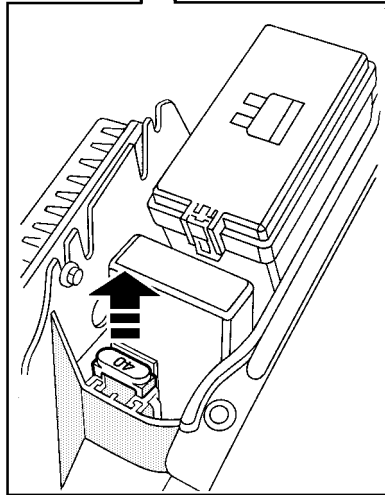
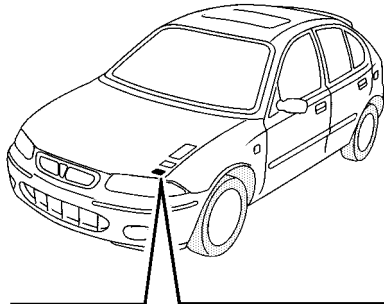
Fuses 6 and 7 will be rated at either 15, or 20 amps, dependent on model.

**NOTE:** Owners are advised against removing or replacing the fuses, relays and fusible links identified on the underside of the fuse box lid as: BATTERY (80 A), ENG MGMT (40 A PETROL, 50 A DIESEL), LIGHTS (40 A), HRW/SUNROOF (40 A), IGN SW B (40 A) and IGN SW A (40 A). Failure of any of these items should be investigated by a Rover dealer.

Fuse No	Rating (amps)	These units not operating
1	15	Central door locking
2	15	Hazard warning lights
3	15	Horn
4	25	Cooling fan
5	15	Engine management system
6	20	Air conditioning
7	20	Heater blower

## Fuses

---



R3H0094

### **ABS FUSE**

(where fitted)

An additional fuse (rated at 40 amps), protecting the anti-lock braking system, is attached to the battery tray where shown in illustration.





## Bulb Replacement

For your own safety and that of other road users, check the operation of the exterior lights every day the car is in use.

Remember that driving with defective lights may be unlawful and subject to legal penalties.

Before replacing a bulb, always turn off the lighting switch to prevent any possibility of a short circuit. Replace bulbs with the same type and specification.

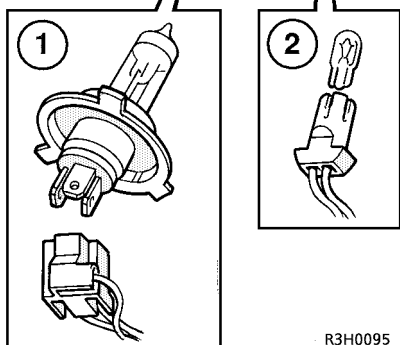
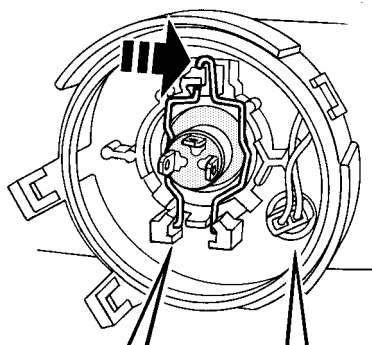
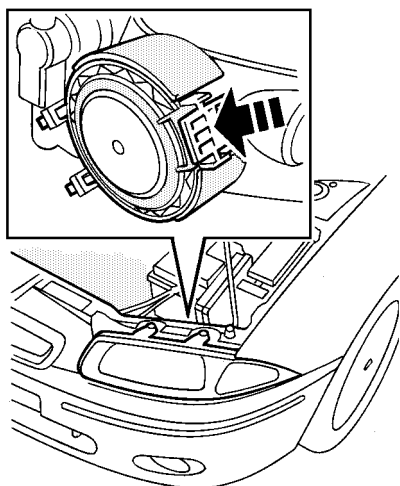
### WARNING!

*Halogen bulbs become very hot when lit - scratches on the glass, oil deposits and even perspiration from the skin, can cause a bulb to overheat and shatter.*

*Always take care when handling and replacing headlight or fog light bulbs. Manoeuvre bulbs into the light unit carefully, to protect them from scratching and hold them by the metal base, to prevent perspiration from contaminating the glass. If contaminated, clean the bulb with methylated spirits and a clean cloth.*

Bulb	Watts	Part No.
Headlight - dip/main	55/60	GLB 472
Front fog light	55	GLB 448
Sidelight	5	GLB 501
Direction indicator - front	21	GLB 382
Side repeater light	5	GLB 501
Tail light	10	GLB 245
Brake light	21	GLB 382
Direction indicator - rear	21	GLB 344
Reversing light	21	GLB 382
Fog guard light	21	GLB 382
Number plate light	5	GLB 501
Glovebox light	5	GLB 239
Interior light	10	GLB 272
Luggage compartment light	10	GLB 245
High mounted stop light	3	GLB 504

## Bulb Replacement



R3H0095

### 1. Headlight dip/main beam

- Press the catch (arrowed in inset) to unclip the plastic cover from the rear of the light unit and detach the electrical connector from the rear of the bulb.
- Unhook the wire securing clip (arrowed in lower illustration) and pivot it away from the rear of the bulb.
- Remove the bulb. When fitting the new bulb, ensure the larger rectangular metal tab is positioned at the top.

### WARNING!

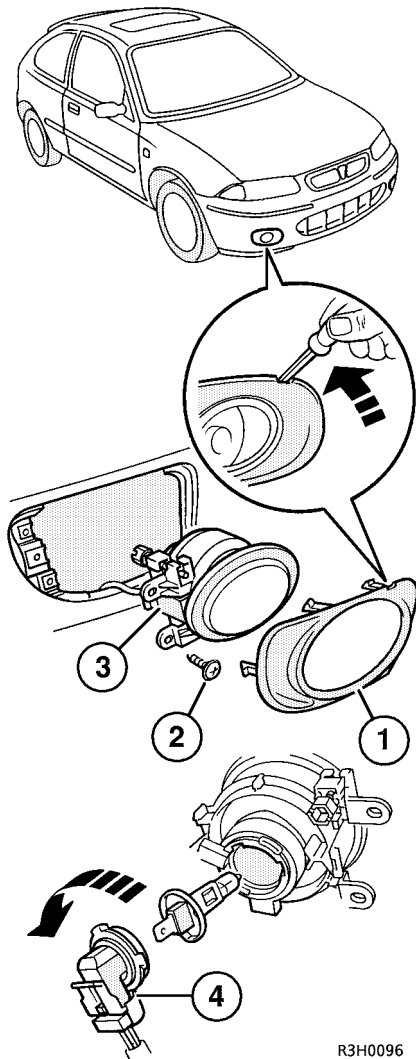
*Halogen bulbs become very hot when lit - scratches on the glass, oil deposits and even perspiration from the skin, can cause a bulb to overheat and shatter.*

*Always take care when handling and replacing headlight or fog light bulbs. Manoeuvre bulbs into the light unit carefully, to protect them from scratching and hold them by the metal base, to prevent perspiration from contaminating the glass. If contaminated, clean the bulb with methylated spirits and a clean cloth.*

### 2. Sidelight

- The sidelight bulb holder is immediately adjacent to the headlight bulb. With the plastic cover removed, pull the bulb holder from the light unit and pull the bulb to remove.

## Bulb Replacement



R3H0096

### Front fog light (where fitted)

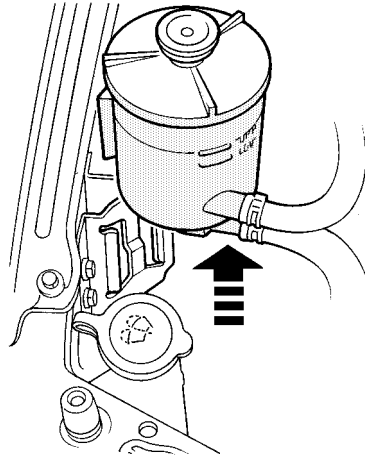
- Using a flat bladed screwdriver, carefully lever out the fog light surround (1).
- Using a cross-headed screwdriver, remove the three screws (2) holding the fog light unit to the bumper and extract the light unit (3).
- Twist the bulb holder (4) anti-clockwise a quarter turn to release it from the light unit. Pull the bulb to remove.

#### WARNING!

*Halogen bulbs become very hot when lit - scratches on the glass, oil deposits and even perspiration from the skin, can cause a bulb to overheat and shatter.*

*Always take care when handling and replacing headlight or fog light bulbs. Manoeuvre bulbs into the light unit carefully, to protect them from scratching and hold them by the metal base, to prevent perspiration from contaminating the glass. If contaminated, clean the bulb with methylated spirits and a clean cloth.*

## Bulb Replacement



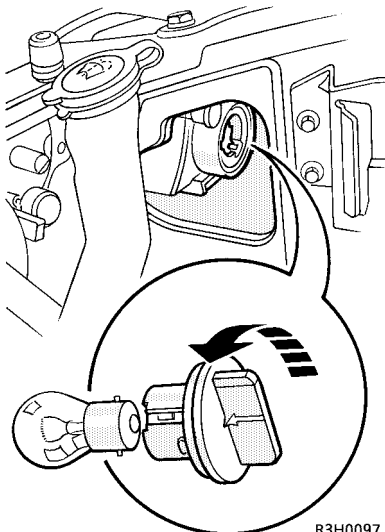
### Front direction indicator light

- Twist the bulb holder a quarter turn anti-clockwise to release, then push and twist to remove the bulb.

**NOTE:** On some models it will be necessary to lift the power steering reservoir off its mounting bracket, to improve access to the right hand direction indicator bulb (see top illustration).

### WARNING!

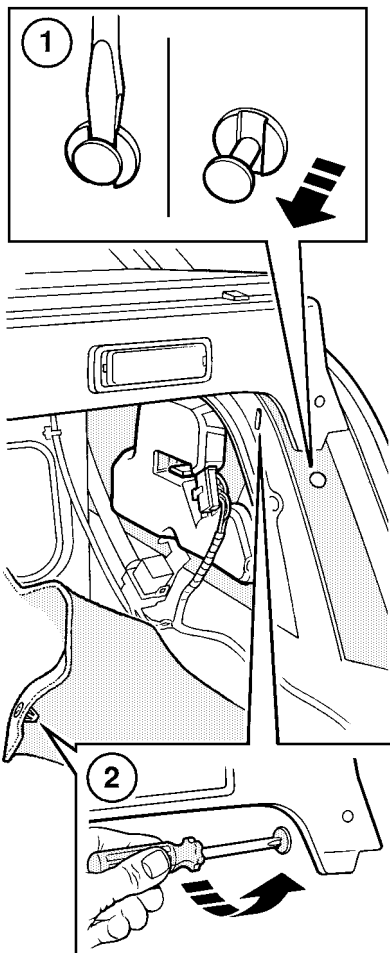
*ALWAYS refit the power steering reservoir (if removed) onto its mounting bracket when the bulb change is complete.*



R3H0097

## Bulb Replacement

### Rear lights



R3H0098A

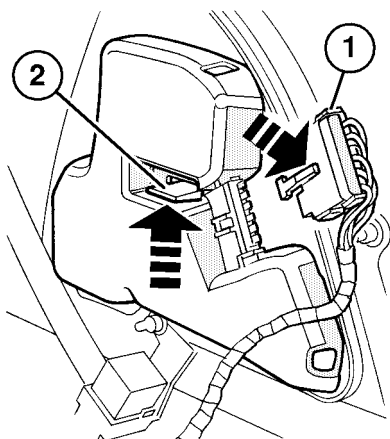
#### **WARNING!**

*Take care to avoid any contact with a hot exhaust system, when carrying out any maintenance at the rear of the car.*

- 1) Insert a flat bladed screwdriver into the slot on the first fastener (see inset) and lever the central portion out of its collar, so that it can be pulled out approximately 11 mm.
- 2) Use a cross-head screwdriver to rotate the second fastener (illustrated in inset) a quarter turn anti-clockwise and pull back the moulded lining as shown.



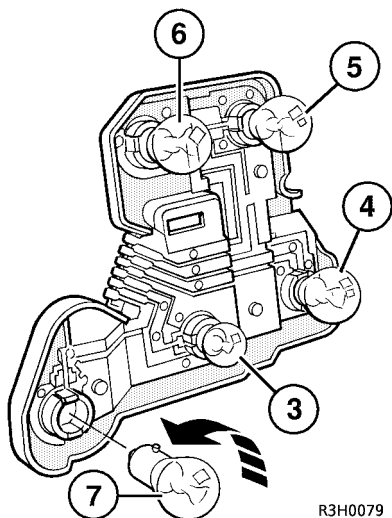
## Bulb Replacement



- Depress the release catch on the electrical connector (1) and pull the connector from the back of the light unit.
- Lift the lever (2) to release the light unit, then withdraw the light unit from the rear of the car.
- Push and turn the bulbs anti-clockwise to remove:

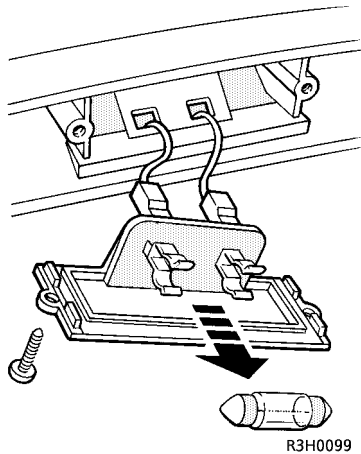
Tail light (3).  
Brake light (4).  
Direction indicator light (5).  
Reversing light (6).  
Fog guard light (7).

When refitting, ensure the lever is securely clipped into the light housing and that the electrical connector is correctly attached.



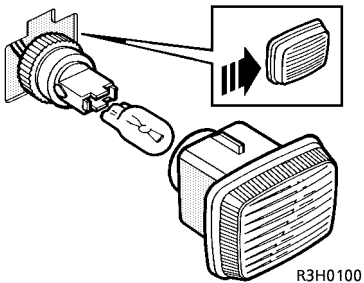
R3H0079

## Bulb Replacement



### Number plate light

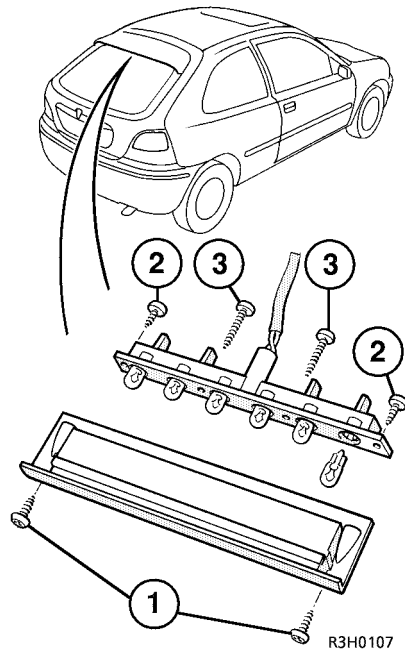
Remove both screws to release the light unit, then pull to remove the bulb from its socket.



### Side repeater light

Push the lens firmly to the right to withdraw the light unit from the wing.

Twist to release the bulb holder from the light unit, then pull the bulb from its socket.



### High mounted stop light

#### WARNING!

Take care to avoid any contact with a hot exhaust system, when carrying out any maintenance at the rear of the car.

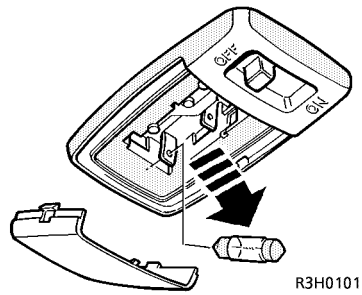
Remove both screws (1) to release the light unit from the tailgate spoiler.

Remove the two outer screws (2) and two inner screws (3), then remove the lens. Pull the appropriate bulb from its socket.

When refitting the light unit, feed the electrical wiring into the spoiler body before attempting to refit the screws (1).

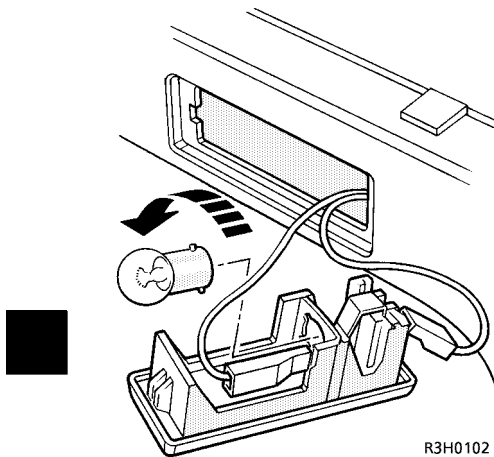
## Bulb Replacement

---



### Interior light

Carefully prise out the lens from the light housing. Spring the bulb connectors apart to release the bulb.



### Luggage compartment light

Push the lens firmly to the left and, from the rear of the unit, push the light unit to release it from the luggage compartment trim panel. Push and twist the bulb to remove.



## Parts & Accessories

---

### SERVICE PARTS & ACCESSORIES

Only ROVER DEALERS are able to provide the full range of recommended parts and accessories, that meet our rigorous standards of safety, durability and performance.

Always consult your Rover dealer regarding the suitability, installation and use of any parts or accessories before fitting.

### Travelling abroad

In certain countries, it is illegal to fit parts which have not been made to the vehicle manufacturer's specification.

Owners should ensure that any parts or accessories fitted to the car while travelling abroad, will also conform to the legal requirements of their home country.

### WARNING!

- *It is extremely hazardous to fit parts or accessories where installation requires the dismantling of, or addition to, either the electrical or fuel systems.*
- *To prevent inadvertant operation, or malfunction of the airbag SRS system, ALWAYS consult a Rover dealer before fitting any accessory (this includes electronic equipment such as mobile phones, two-way radios or in-car entertainment systems).*
- *Fitting parts or accessories that have not been approved by Rover, may be dangerous and could invalidate the vehicle warranty.*

# Vehicle Identification

## IDENTIFICATION NUMBERS

When communicating with your dealer always quote the Vehicle Identification Number (VIN). If your communication concerns the engine, gearbox or body, it may be necessary to quote these numbers as well.

### 1. Vehicle identification number (VIN).

Stamped on the VIN plate at the foot of the left hand door pillar and also stamped into the centre of the bulkhead at the top, inside the engine compartment. In addition, as a deterrent to car thieves and to help the police, the VIN is stamped into a plate visible at the bottom left corner of the windscreen.

**NOTE:** The body colour and trim codes are also stamped on the VIN plate and must be quoted if paint or trim items are required.

### 2. Engine number.

*Petrol engines:* Stamped into the front face on the right hand side of the cylinder block.

*Diesel engines:* Stamped into the front face on the engine block, where shown.

### 3. Manual gearbox number.

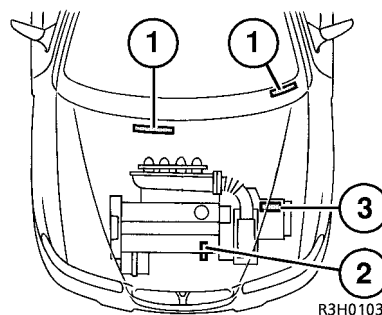
On a label attached to the upper face of the gearbox housing.

### Automatic gearbox number.

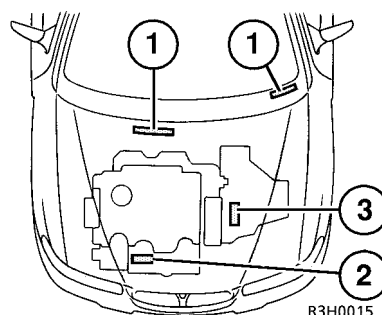
Stamped on a plate attached to the upper face of the gearbox housing.

### Body number

Stamped on a plate inside the luggage compartment, adjacent to the spare wheel well.



*Petrol models*



*Diesel models*

## Technical Data

---

### Engine - 1.1 petrol

Fuel .....	UNLEADED 95 RON minimum to EN 228 specification
Capacity .....	1119 cm <sup>3</sup>
Firing order .....	1 - 3 - 4 - 2
Idle speed .....	875 ± 50 rev/min

### Engine - 1.4 petrol

Fuel .....	UNLEADED 95 RON minimum to EN 228 specification
Capacity .....	1396 cm <sup>3</sup>
Firing order .....	1 - 3 - 4 - 2
Idle speed .....	875 ± 50 rev/min

### Engine - 1.6 petrol

Fuel .....	UNLEADED 95 RON minimum to EN 228 specification
Capacity .....	1588 cm <sup>3</sup>
Firing order .....	1 - 3 - 4 - 2
Idle speed .....	875 ± 50 rev/min

### Engine - 1.8 & 200vi petrol

Fuel .....	UNLEADED 95 RON minimum to EN 228 specification
Capacity .....	1796 cm <sup>3</sup>
Firing order .....	1 - 3 - 4 - 2
Idle speed .....	875 ± 50 rev/min

### Engine - 2.0 diesel

Fuel .....	Diesel (AGO*) to EN 590 specification
Capacity .....	1994 cm <sup>3</sup>
Firing order .....	1 - 3 - 4 - 2
Idle speed .....	805 ± 50 rev/min

\* Automotive Gas Oil

## Technical Data

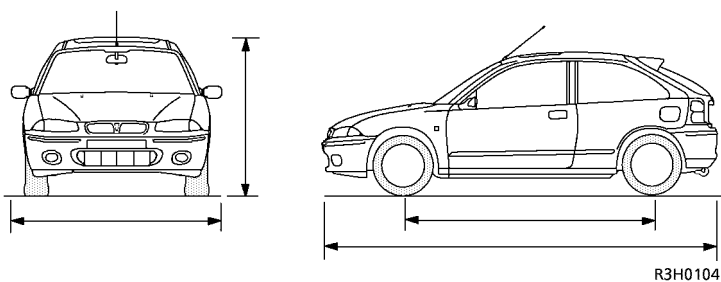
### Ignition system

Type .....	Breakerless, electronic
Spark plugs:	
1.1, 1.4, & 1.6 engines.....	GSP 6662
1.8 & 200vi engines.....	GSP 9652 or Double platinum RC8 PYP (Champion RC 564 PYP)
Spark plug gap.....	0.85 mm

### Electrical

Battery type.....	Sealed for life
Voltage and polarity.....	12 V, negative (-) earth

### Dimensions



Overall length .....	3.973 m	13 ft 0.4 in
Overall width (including mirrors) .....	1.890 m	6 ft 2.4 in
Overall width (excluding mirrors) .....	1.688 m	5 ft 6.5 in
Overall height (excluding aerial)* .....	1.419 m	4 ft 7.9 in
Ground clearance:*		
1.8 & 200vi models .....	110 mm	4.3 in
All other models .....	120 mm	4.7 in
Wheelbase.....	2.502 m	8 ft 2.5 in
Turning circle (kerb to kerb).....	10.31 m	33 ft 9.6 in
Wheel alignment:*		
Front - toe-out.....	0° 5' ± 7.5' per side	
Rear - toe-in .....	0° 8' ± 10' per side	
* At unladen weight		

## Technical Data

### Wheels and tyres

#### Wheel size and type:

Steel wheels .....	5J X 14
Alloy wheels* .....	5.5J X 15

#### Tyre size:

1.1 & 1.4 models (steel wheels) .....	175/65 R14 82T
1.4 models (alloy wheels) .....	185/55 R15 81H or 185/55 R15 81V
1.6 models (steel wheels) .....	175/65 R14 82H
1.6 models (alloy wheels) .....	185/55 R15 81V or 185/55 R15 81H
1.8 & 200vi models .....	185/55 R15 81V
2.0 diesel models (steel wheels) .....	175/65 R14 82T or 175/65 R14 82H
2.0 diesel models (alloy wheels) .....	185/55 R15 81V or 185/55 R15 81H
Road wheel nut torque.....	110 Nm

\* Cars with alloy road wheels are equipped with a 5.5J X 15 steel spare wheel fitted with a tyre of identical specification to that fitted to the alloy road wheels.

**NOTE:** When replacing tyres, make sure the supplier is aware that all the tyres on the car should conform to one specification and that any combination of 'T', 'H' or 'V' rated tyres is not recommended.

**NOTE:** The load index ('81', '82', '84' or '86') shown on the sidewall of the tyres fitted to your car may exceed the appropriate specification shown above. If this is the case, it is permissible to fit replacement tyres with a load index that conforms to either: the specification shown above, or the specification shown on the tyre.

## Technical Data

### TYRE PRESSURES

#### Petrol engine cars

Tyre size		Normal		Max. load		High speed		Towing	
		lb/in <sup>2</sup>	bar	lb/in <sup>2</sup>	bar	lb/in <sup>2</sup>	bar	lb/in <sup>2</sup>	bar
175/65 R14 82T (all models)	<b>Front:</b>	30	2.1	30	2.1	33	2.3	30	2.1
	<b>Rear:</b>	30	2.1	30	2.1	33	2.3	34	2.4
175/65 R14 82H (manual gearbox cars)	<b>Front:</b>	30	2.1	30	2.1	34	2.4	30	2.1
	<b>Rear:</b>	30	2.1	30	2.1	34	2.4	34	2.4
175/65 R14 82H (auto gearbox cars)	<b>Front:</b>	32	2.2	32	2.2	36	2.5	33	2.3
	<b>Rear:</b>	30	2.1	30	2.1	34	2.4	34	2.4
185/55 R15 81V (1.8 & 200vi)	<b>Front:</b>	32	2.2	32	2.2	38	2.6	32	2.2
	<b>Rear:</b>	32	2.2	32	2.2	38	2.6	36	2.5
185/55 R15 81V* (auto gearbox cars)	<b>Front:</b>	33	2.3	33	2.3	37	2.5	33	2.3
	<b>Rear:</b>	30	2.1	30	2.1	34	2.4	34	2.4
185/55 R15 81V or 185/55 R15 81H* (all other models)	<b>Front:</b>	30	2.1	30	2.1	34	2.4	30	2.1
	<b>Rear:</b>	30	2.1	30	2.1	34	2.4	34	2.4

#### Diesel engine cars

Tyre size		Normal		Max. load		High speed		Towing	
		lb/in <sup>2</sup>	bar	lb/in <sup>2</sup>	bar	lb/in <sup>2</sup>	bar	lb/in <sup>2</sup>	bar
175/65 R14 82T or 175/65 R14 82H	<b>Front:</b>	32	2.2	35	2.4	35	2.4	32	2.2
	<b>Rear:</b>	30	2.1	30	2.1	33	2.3	34	2.4
185/55 R15 81V*	<b>Front:</b>	33	2.3	36	2.5	36	2.5	33	2.3
	<b>Rear:</b>	30	2.1	30	2.1	33	2.3	34	2.4

\* May be fitted with either 185/55 R15 81V or 185/55 R15 81H, but not a mixture of the two.

**Normal driving conditions:** carrying up to 4 passengers and luggage.

**Max. load conditions:** driving with the car loaded to its maximum gross vehicle weight.

**High speed motoring:** driving at speeds of 100 mph (160 km/h).

**NOTE:** The tyre size is displayed on the outer wall of each tyre.

## Technical Data

### Capacities

Fuel tank .....	50 litre .....	11.0 gal
Engine oil (and filter) refill:		
Petrol engines .....	4.5 litre.....	7.9 pt
Diesel engines .....	4.5 litre.....	7.9 pt
Engine oil (and filter) fill from dry:		
Petrol engines .....	4.8 litre.....	8.4 pt
Diesel engines .....	4.9 litre.....	8.6 pt
Manual gearbox refill		
1.1, 1.4 & 1.6 engines .....	1.8 litre.....	3.1 pt
1.8, 200vi & diesel engines .....	2.0 litre.....	3.5 pt
Manual gearbox fill from dry		
1.1, 1.4 & 1.6 engines .....	2.0 litre.....	3.5 pt
1.8, 200vi & diesel engines .....	2.2 litre.....	3.9 pt
Automatic gearbox refill .....	4.5 litre.....	8 pt
Automatic gearbox fill from dry .....	5.0 litre.....	8.7 pt
Cooling system fill from dry*:		
Petrol engines .....	5.5 litre.....	9.7 pt
Diesel engines .....	7.0 litre.....	12.3 pt
Washer reservoir:		
All models .....	6.5 litre.....	11.4 pt
* Refill capacity is approx. 0.7 litre (1.2 pt) less than fill from dry.		

## Technical Data

---

### Weights

Approx unladen vehicle weight (full fuel tank, excluding options):		
Petrol models (manual gearbox) .....	1000 - 1060 kg .....	2205 - 2335 lb
Petrol models (automatic gearbox) .....	1045 - 1085 kg .....	2305 - 2390 lb
Diesel models .....	1105 - 1165 kg .....	2435 - 2570 lb
Max gross vehicle weight:		
1.1 & 1.4 models .....	1460 - 1480 kg .....	3220 - 3265 lb
1.6 manual models .....	1480 - 1510 kg .....	3265 - 3330 lb
1.6 automatic models .....	1500 - 1550 kg .....	3310 - 3415 lb
1.8 models .....	1520 kg .....	3350 lb
Diesel models .....	1580 - 1620 kg .....	3485 - 3570 lb
Max rear axle load (must NOT be exceeded!) .....	750 kg .....	1655 lb
Max rear axle load when towing at speeds up to 62 mph (100 kph) .....	850 kg .....	1875 lb
Max towing weight - allowing the vehicle to restart efficiently on a 12% (1 in 8) gradient with two occupants (braked trailer) *		
1.1 models .....	800 kg .....	1765 lb
1.4 models .....	900 kg .....	1985 lb
All other models .....	1000 kg .....	2200 lb
Towing hitch downward load .....	70 kg .....	154 lb
Coupling device maximum overhang		
Fixed coupling .....	749 mm .....	29.5 in
Removable coupling .....	779 mm .....	30.7 in
Max roof rack load (including weight of rack) .....	65 kg .....	143 lb
* Any additional weight, such as luggage or additional passengers, should be deducted from the maximum towing weight quoted above.		



## Technical Data

---

### Fuel consumption

The fuel consumption figures shown below have been calculated using a standard testing procedure (the new EC test procedure from Directive 93/116/EC), and produced in accordance with The Passenger Car Fuel Consumption (Amendment) Order 1996. Under normal use, a car's actual fuel consumption figures may differ from those achieved through the test procedure, depending on driving technique, road and traffic conditions, environmental factors, vehicle and load condition.

MODEL	URBAN		EXTRA-URBAN		COMBINED	
	<i>m.p.g</i>	<i>litre/100km</i>	<i>m.p.g.</i>	<i>litre/100km</i>	<i>m.p.g.</i>	<i>litre/100km</i>
<i>petrol models:</i>						
1.1 8v manual	33.8	8.4	49.2	5.7	42.1	6.7
1.4 8v manual	30.4	9.3	52.8	5.3	41.5	6.8
1.4 16v manual	28.6	9.9	52.0	5.4	39.9	7.1
1.6 16v Manual	28.2	10.0	50.5	5.6	39.2	7.2
1.6 16v Automatic	25.0	11.3	48.6	5.8	36.2	7.8
1.8 16v manual	28.3	10.0	48.4	5.8	38.3	7.4
200vi	26.7	10.6	49.3	5.7	37.5	7.5
<i>diesel models:</i>						
2.0 (86PS)	36.3	7.8	62.6	4.5	49.5	5.7
2.0 (105PS)	37.0	7.6	63.0	4.5	50.1	5.6

### Urban cycle

The urban cycle is carried out from a cold start and consists of a series of accelerations, decelerations and periods of steady speed driving and engine idling. The maximum speed attained during the test is 31 mph (50 km/h), with an average speed of 12 mph (19 km/h).

### Extra-urban cycle

The extra-urban test cycle is carried out immediately after the urban test. Approximately half of the test comprises steady speed driving, while the remainder consists of a series of accelerations, decelerations and engine idling. The maximum test speed is 75 mph (120 km/h) and the average speed 39 mph (63 km/h). The test is carried out over a distance of 4.3 miles (7 km).

### Combined

The combined figure is an average of the urban and extra-urban test cycle results, which has been weighted to take account of the different distances covered during the two tests.

**NOTE:** *These figures should not be compared with the figures produced using the ECE/EEC procedure previously required by The Passenger Car Fuel Consumption Order 1983. Because of the changes in test procedure, even the urban figures would differ if the same car were subjected to both tests.*

## Index

<b>A</b>		<b>D</b>		<b>H</b>	
Access code	9	Data	119	Handbrake	53, 74
Accessories	117	Demister (rear screen)	71	Handset	11
Aerial	44	Dimensions	120	Handset battery	11
Air conditioning	39, 71	Dipstick (engine)	83	Hazard warning lights	71
Airbag SRS	23, 54	Direction indicators	67, 112	Head restraints	18
Alarm system	4	Distance recorder	50	Headlight beam height control	68
Anti-freeze	85				
Anti-lock braking	53, 75	<b>E</b>		Headlights	53, 67, 110
Anti-theft alarm	4	Emergency starting	96	Heating	34
Anti-theft precautions	4	Emission control	77	High mounted stop light	115
Ashtray	42	Empty fuel tank	66	Horn	72
Automatic gearbox	62	Engine	83, 119		
		Engine compartment	80	<b>I</b>	
<b>B</b>		Engine immobilisation	8	Identification numbers	118
Battery	52, 90	Engine number	118	Ignition system	120
Body number	118	Engine oil	78, 83	Immobilisation	8
Bonnet opening	79			In-car entertainment	44
Booster cables	96	<b>F</b>		Indicators	53, 67
Brake fluid level	86	Face level vents	37	Instruments	50
Brake lights	114	Fog guard lights	114	Interior light	41, 116
Brake pads	73	Fog guard lights (rear)	72	Interior mirror	29
Brake wear indicators	73	Fog lights	72, 111	Interior space protection	6
Braking system	53, 73	Fuel consumption	125		
Bulb replacement	109	Fuel cut-off switch	66	<b>J</b>	
		Fuel economy	58	Jacking	100
<b>C</b>		Fuel filler	64	Jump leads	96
Capacities	123	Fuel filling	65		
Car care	94	Fuel gauge	51	<b>K</b>	
Catalytic converter	59	Fuel system	64	Key access code	9
Central door locking	5	Fuses	104	Keys	12
CD autochanger	44				
Child seats	20	<b>G</b>		<b>L</b>	
Child-proof door locks	14	Gear selector	62	Lights	67
Chock	101	Gearbox - automatic	62	Load carrying	46
Cigar lighter	43	Gearbox - manual	61	Locking wheel nuts	103
Cleaning	94	General data	119	Locks	4
Clock	42, 95	Glovebox	14	Locks (manual)	6
Continuously variable transmission	62	Glovebox light	41	Luggage area	46
Controls	3	Ground clearance	120	Luggage compartment	13
Cooling system	85			Luggage compartment light	41, 116

## Index

<b>M</b>					
Maintenance	77	Sidelights	67, 110	Wheels	120
Manual gearbox	61	Snow chains	92	Windows	31, 95
Mirrors	27, 95	Spare wheel	100	Windscreen washers	69, 88
		Speedometer	51	Wiper blades	89, 95
<b>N</b>		Starter switch	55	Wipers	69
Number plate light	115	Starting - diesel models	57		
		Starting - petrol models	56		
<b>O</b>		Starting in an emergency	96		
Oil level (engine)	83	Steering column adjustment	30		
Owner maintenance	77	Steering lock	55		
		Steering (power assisted)	87		
<b>P</b>		Sun visor	41		
Parking	58, 63	Sunroof	33		
Parts	117	Switches	71		
Pollen filter	36				
Power steering	87	<b>T</b>			
Pre-tensioners	22	Tachometer	50		
Punctured tyres	93	Taildoor	13		
		Tail lights	114		
<b>R</b>		Technical data	119		
Radio	44, 91	Temperature gauge	50		
Radio aerial	44, 94	Tool kit	100		
Radio controls (remote)	45	Tow bar	48		
Rear lights	113	Towing for recovery	98		
Rear screen demister	71	Trip recorder reset button	51		
Rear seats	49	Turning circle	120		
Rear window shelf	46	Tyre pressures	122		
Rear window wash/wipe	70	Tyres	92, 120		
Rear-view mirror	29				
Reversing lights	114	<b>V</b>			
Roof rack	48	Vanity mirror	29, 41		
Running-in	58	Vehicle identification number (VIN)	118		
		Ventilation	34		
<b>S</b>					
Safety in the garage	78	<b>W</b>			
Safety on the forecourt	66	Warning lights	52		
Seat belt safety	19	Washer jets	88		
Seat belts	19, 95	Washers (windscreen)	88		
Seats	15, 49	Washing your car	94		
Security information card	9	Wear indicators	73, 93		
Selector lever	62	Weights	124		
Service Portfolio book	77	Wheel changing	99		
Side repeater light	115	Wheel chock	101		

### Emergency Procedures

Bulb replacement	109
Emergency starting	96
Engine immobilisation override	9
Fuel cut-off switch	66
Fuses	104
Hazard warning lights	71
Towing for recovery	98
Using booster cables	96
Wheel changing	99